



LA BRAKE PAD 07HO30LA

The 07HO30LA brake pad is synonymous with reliability

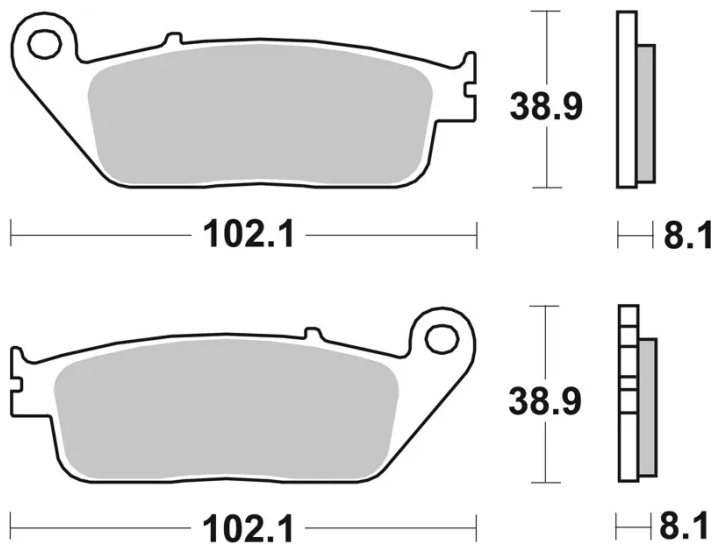
sintered compound, specifically for front-wheel applications, characterised by good performance and stability paired with excellent durability

- ✓ OE-equivalent
- ✓ Brembo quality
- ✓ ECE-R90 certificate
- ✓ Safety
- ✓ Performance
- ✓ Comfort
- ✓ Durability



Technical specifications

Width mm	Height 38,9 mm	Thickness 8,1 mm
Compound Sinter	Units per box 2	



COMPATIBLE VEHICLES