



BRAKE DISC MAX

08.4475.75

The 08.4475.75 Max brake disc is synonymous with reliability

The Brembo Max brake disc features grooves on the braking surface. The special shape of the grooves generates greater fading resistance and constant renewal of friction material, quickly restoring optimum braking conditions. The UV paint completes the sporty look.

- ✓ Brembo quality
- ✓ ECE-R90 certificate
- ✓ Performance
- ✓ Sports driving
- ✓ Sporty look
- ✓ Anti-corrosion
- ✓ Fastening screws



Technical specifications



EAN code
8020584011218

Axle
Front

Diameter Ø
236 mm

Thickness (TH)
12,5 mm

Height (A)
41 mm

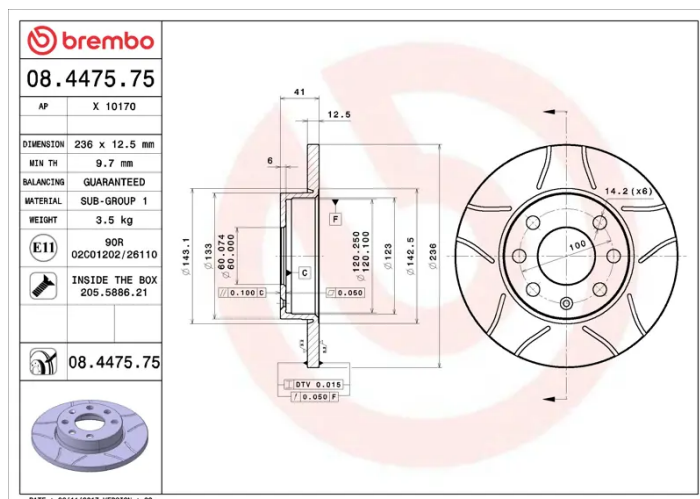
Number of holes (C)
4

Brake disc type
Solid

Centering (B)
60 mm

Min. thickness
9,7 mm

Tightening torque
110 Nm



COMPATIBLE VEHICLES

COMPATIBLE OE PART NUMBERS

90111242	BEDFORD
----------	---------

90008005	CHEVROLET
----------	-----------

569013	OPEL
--------	------

569030	OPEL
--------	------

90008005	OPEL
----------	------

93182290	OPEL
----------	------

90111242	PONTIAC
----------	---------

90008005	VAUXHALL
----------	----------

90111242	VAUXHALL
----------	----------

93182290	VAUXHALL
----------	----------