



BRAKE DISC XTRA

08.A147.1X

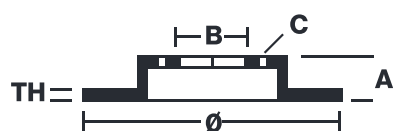
The 08.A147.1X Xtra brake disc is synonymous with reliability

The Brembo Xtra brake disc features holes on the braking surface. The holes are designed to improve the cooling of the braking system, to generate greater fading resistance and grip in the initial stages of braking. The sports look is also enhanced by the presence of the UV paint.

- ✓ Brembo quality
- ✓ ECE-R90 certificate
- ✓ Performance
- ✓ Sports driving
- ✓ Sporty look
- ✓ Anti-corrosion
- ✓ Fastening screws



Technical specifications



EAN code
8020584212318

Axle
Rear

Diameter Ø
260 mm

Thickness (TH)
9 mm

Height (A)
42 mm

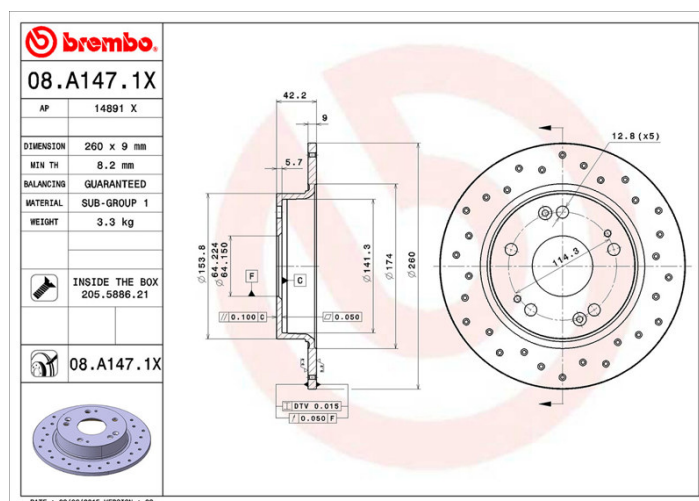
Number of holes (C)
5

Brake disc type
Solid

Centering (B)
64 mm

Min. thickness
8,2 mm

Tightening torque
108 Nm



COMPATIBLE VEHICLES

COMPATIBLE OE PART NUMBERS

42510TR3A00	ACURA
42510SNVH00	CIIMO
42510SMGE20	HONDA
42510SNAA00	HONDA
42510SNAA01	HONDA
42510SNEA00	HONDA
42510SNLT00	HONDA
42510TR3A00	HONDA
42510SNAA00	HONDA (DONGFENG)
42510SNVH00	HONDA (DONGFENG)