



BRAKE DISC PAINTED

09.9464.11

The 09.9464.11 painted brake disc is synonymous with reliability

The Brembo brake disc with special UV paint treatment guarantees superior corrosion resistance for the product, thanks to the protective coating on the outer edges and on the disc hub. The UV paint not only gives the disc a clean, shiny appearance but is also beneficial for the environment as the water-based UV paint treatment does not require the use of chemical solvents and is a low energy consumption process.

- ✓ OE-equivalent
- ✓ Brembo quality
- ✓ ECE-R90 certificate
- ✓ Safety
- ✓ High carbon
- ✓ Anti-corrosion



Technical specifications



EAN code
8020584015704

Axle
Front

Diameter Ø
278 mm

Thickness (TH)
25 mm

Height (A)
49 mm

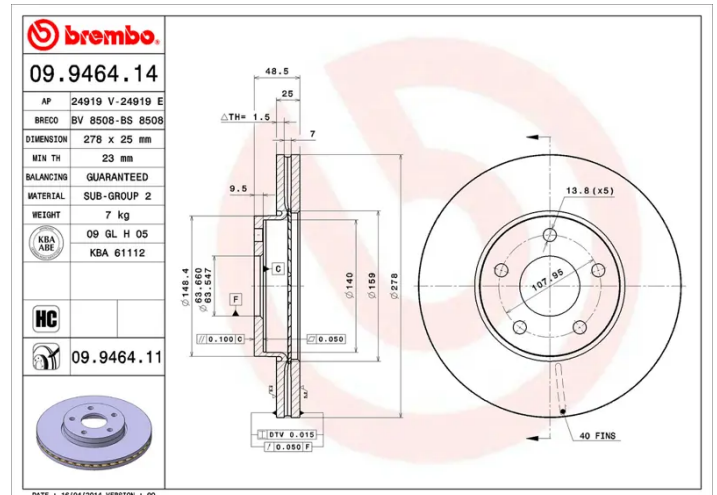
Number of holes (C)
5

Brake disc type
Ventilated

Centering (B)
64 mm

Min. thickness
23 mm

Tightening torque
100 Nm



COMPATIBLE VEHICLES

COMPATIBLE OE PART NUMBERS

1223663	FORD
1223665	FORD
1253729	FORD
1253730	FORD
1320352	FORD
1373369	FORD
1469082	FORD
1501058	FORD
1501069	FORD
1575734	FORD
1734696	FORD
3M512C375A1D	FORD
3M512C375AA	FORD
3M512C375AB	FORD
3M512C375AC	FORD
3M512C375AD	FORD
7M511125FA	FORD
AV611125BA	FORD
AV611125BB	FORD
1364548	FORD (CHANGAN)
1771580	FORD (CHANGAN)
6M512C375AA	FORD (CHANGAN)
6M512C375AB	FORD (CHANGAN)
ED8C1125AA	FORD (CHANGAN)
ED8C1125AB	FORD (CHANGAN)
ED8C1125AC	FORD (CHANGAN)
JD8C1125AA	FORD (CHANGAN)
6M512C375AA	MAZDA (CHANGAN)
274509	VOLVO
2745090	VOLVO
31262718	VOLVO
31262718	VOLVO (CHANGAN)