



# BRAKE DISC PAINTED

## 09.B354.11

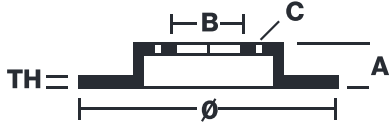
The 09.B354.11 painted brake disc is synonymous with reliability

The Brembo brake disc with special UV paint treatment guarantees superior corrosion resistance for the product, thanks to the protective coating on the outer edges and on the disc hub. The UV paint not only gives the disc a clean, shiny appearance but is also beneficial for the environment as the water-based UV paint treatment does not require the use of chemical solvents and is a low energy consumption process.

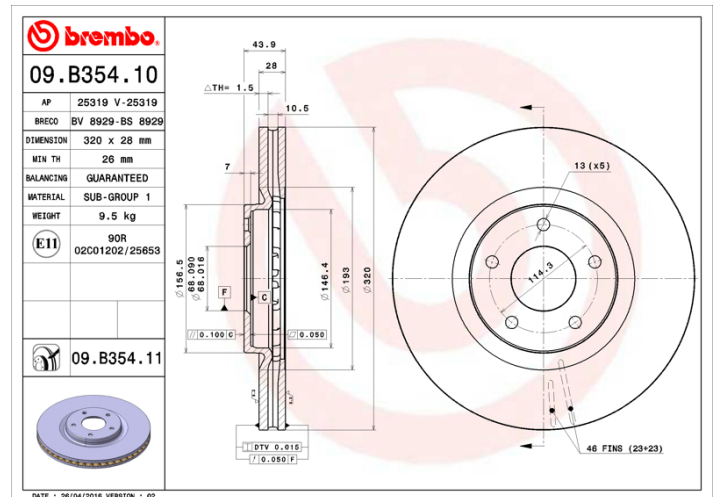
- ✓ OE-equivalent
- ✓ Brembo quality
- ✓ ECE-R90 certificate
- ✓ Safety
- ✓ Anti-corrosion



### Technical specifications



EAN code	Axle	Diameter Ø
<b>8020584219409</b>	<b>Front</b>	<b>320 mm</b>
Thickness (TH)	Height (A)	Number of holes (C)
<b>28 mm</b>	<b>44 mm</b>	<b>5</b>
Brake disc type	Centering (B)	Min. thickness
<b>Ventilated</b>	<b>68 mm</b>	<b>26 mm</b>



**COMPATIBLE VEHICLES**

## COMPATIBLE OE PART NUMBERS

40206ET01A	NISSAN
------------	--------

---

402069828R	RENAULT
------------	---------

---

40206JY00A	RENAULT
------------	---------

---

40206JY01A	RENAULT
------------	---------

---

8660002095	RENAULT
------------	---------

---