



BRAKE DISC

09.B463.10

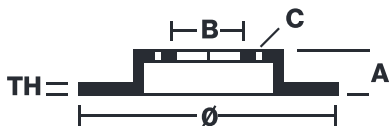
The **09.B463.10** brake disc is synonymous with reliability

The Brembo brake disc is fully interchangeable with an Original Equipment brake disc. The control of the entire production cycle allows Brembo to offer brake discs with outstanding performance levels, reliability, durability and comfort in all conditions of use. All Brembo brake discs are accompanied by the ECE-R90 homologation.

- ✓ OE-equivalent
- ✓ Brembo quality
- ✓ ECE-R90 certificate
- ✓ Safety
- ✓ High carbon
- ✓ Fastening screws



Technical specifications



EAN code
8020584018798

Axle
Front

Diameter Ø
269 mm

Thickness (TH)
22,5 mm

Height (A)
44 mm

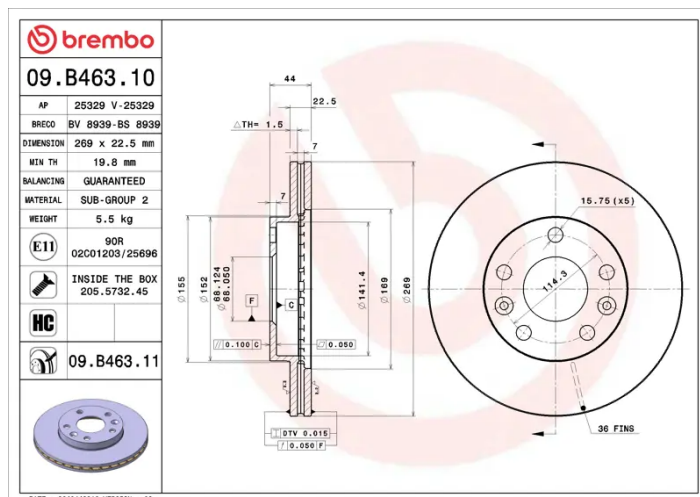
Number of holes (C)
5

Brake disc type
Ventilated

Centering (B)
68 mm

Min. thickness
19,8 mm

Tightening torque
120 Nm



COMPATIBLE VEHICLES

COMPATIBLE OE PART NUMBERS

402066300R	DACIA
------------	-------

8660002096	DACIA
------------	-------

4020600Q0M	NISSAN
------------	--------

4020600Q1A	NISSAN
------------	--------

402066300R	NISSAN
------------	--------

402061715R	RENAULT
------------	---------

402066300R	RENAULT
------------	---------

8660002096	RENAULT
------------	---------