



BRAKE DISC

09.C244.10

The **09.C244.10** brake disc is synonymous with reliability

The Brembo brake disc is fully interchangeable with an Original Equipment brake disc. The control of the entire production cycle allows Brembo to offer brake discs with outstanding performance levels, reliability, durability and comfort in all conditions of use. All Brembo brake discs are accompanied by the ECE-R90 homologation.

- ✓ OE-equivalent
- ✓ Brembo quality
- ✓ ECE-R90 certificate
- ✓ Safety



Technical specifications



EAN code
8020584221020

Axle
Front

Diameter Ø
300 mm

Thickness (TH)
27 mm

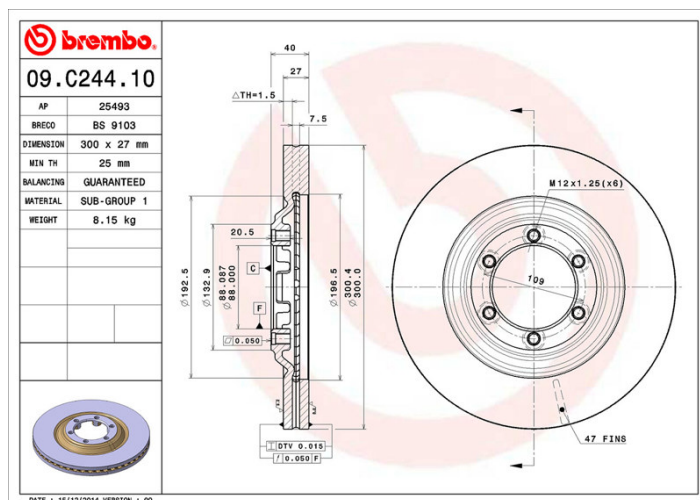
Height (A)
40 mm

Number of holes (C)
6

Brake disc type
Ventilated

Centering (B)
88 mm

Min. thickness
25 mm



COMPATIBLE VEHICLES

COMPATIBLE OE PART NUMBERS

52088568	CHEVROLET
----------	-----------

52091491	CHEVROLET
----------	-----------

94712571	CHEVROLET
----------	-----------

52088568	ISUZU
----------	-------

52091491	ISUZU
----------	-------

8981246632	ISUZU
------------	-------

8981246633	ISUZU
------------	-------

8981246634	ISUZU
------------	-------

8981246643	ISUZU
------------	-------

98124663	ISUZU
----------	-------

98124664	ISUZU
----------	-------