



BRAKE PAD PRIME CERAMIC P06068N

The P06068N NAO brake pad is synonymous with reliability

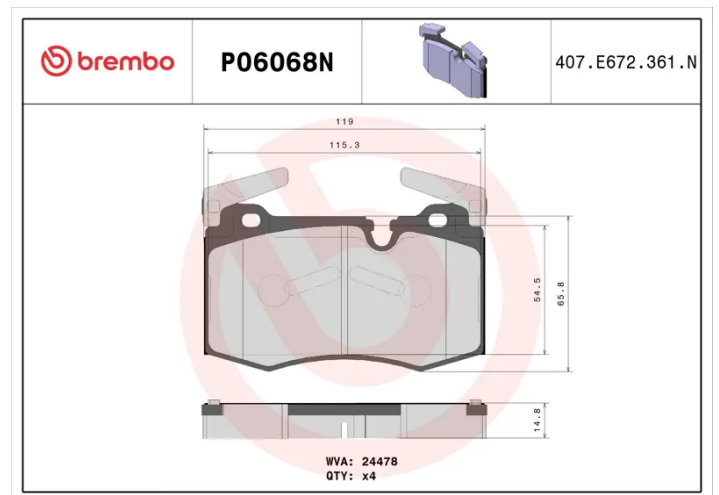
Brembo NAO brake pads stand out for their ultimate braking comfort, reduced friction wear and low dust mission, which makes for cleaner rims and reduced maintenance requirements. The advanced friction material in keeping with the strictest environmental standards is the main distinguishing feature of NAO compounds.

- ✓ OE-equivalent
- ✓ Brembo quality
- ✓ Safety
- ✓ Comfort
- ✓ Durability
- ✓ Dust reduction
- ✓ With accessories



Technical specifications

EAN code 8020584083406	Axle Front	Thickness 15 mm
Width 121 mm	Height 76 mm	Braking system Brembo
Wear indicator Prepared for wear indicator	WVA number 24478	Accessories With anti-squeal shim



COMPATIBLE VEHICLES

COMPATIBLE OE PART NUMBERS

34116789157	BMW
-------------	-----

34116778719	MINI
-------------	------

34116784726	MINI
-------------	------

34116789157	MINI
-------------	------

6778719	MINI
---------	------

6784726	MINI
---------	------
