



BRAKE PAD NAO P09004N

The P09004N NAO brake pad is synonymous with reliability

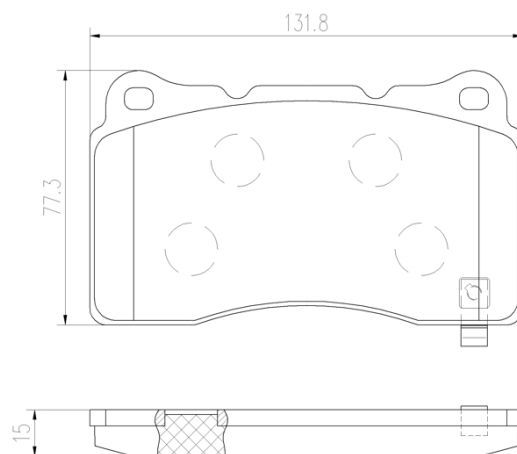
Brembo NAO brake pads stand out for their ultimate braking comfort, reduced friction wear and low dust mission, which makes for cleaner rims and reduced maintenance requirements. The advanced friction material in keeping with the strictest environmental standards is the main distinguishing feature of NAO compounds.

- ✓ OE-equivalent
- ✓ Brembo quality
- ✓ Safety
- ✓ Comfort
- ✓ Durability
- ✓ Dust reduction
- ✓ With accessories



Technical specifications

EAN code 8020584082072	Axle Front and rear	Thickness 15 mm
Width 132 mm	Height 77 mm	Braking system Brembo
Wear indicator Acoustic	WVA number 23325	Accessories With anti-squeal shim



4 PCS/SET

COMPATIBLE VEHICLES

COMPATIBLE OE PART NUMBERS

89047725 CADILLAC

00K68232820AA CHRYSLER

68232820AA CHRYSLER

682328020AA DODGE

7R3Z2001A FORD USA

BRF1436 FORD USA

DR332001CC FORD USA

DR3Z2001A FORD USA

DR3Z2001C FORD USA

45022TGHA12 HONDA

45022TV8E01 HONDA

105506600B TESLA

105506600C TESLA

106833000A TESLA

106833000B TESLA

106833000C TESLA
