



BRAKE PAD PRIME CERAMIC P09028N

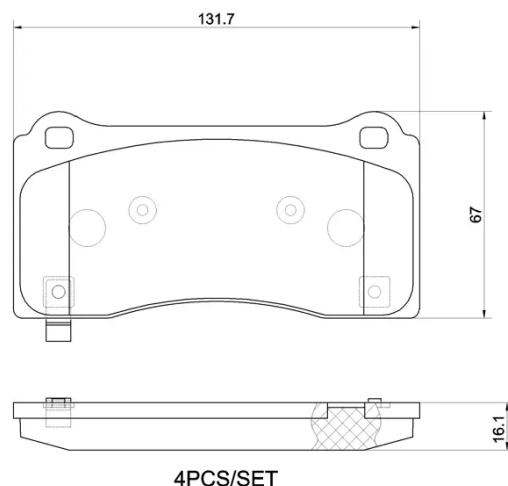
The P09028N NAO brake pad is synonymous with reliability

Brembo NAO brake pads stand out for their ultimate braking comfort, reduced friction wear and low dust mission, which makes for cleaner rims and reduced maintenance requirements. The advanced friction material in keeping with the strictest environmental standards is the main distinguishing feature of NAO compounds.

- ✓ OE-equivalent
- ✓ Brembo quality
- ✓ Safety
- ✓ Comfort
- ✓ Durability
- ✓ Dust reduction
- ✓ With accessories

Technical specifications

EAN code	Axle	Thickness
8020584118993	Front	16 mm
Width	Height	Braking system
132 mm	67 mm	Brembo
Wear indicator	WVA number	Accessories
Acoustic	26275	With anti-squeal shim



COMPATIBLE VEHICLES

COMPATIBLE OE PART NUMBERS

800824000A	TESLA
800824000B	TESLA
800824000C	TESLA