



BRAKE PAD PRIME CERAMIC P11040N

The P11040N NAO brake pad is
synonymous with reliability

Brembo NAO brake pads stand out for their ultimate braking comfort, reduced friction wear and low dust mission, which makes for cleaner rims and reduced maintenance requirements. The advanced friction material in keeping with the strictest environmental standards is the main distinguishing feature of NAO compounds.

- ✓ OE-equivalent
- ✓ Brembo quality
- ✓ Safety
- ✓ Comfort
- ✓ Durability
- ✓ Dust reduction
- ✓ With accessories



Technical specifications

EAN code
8020584113516

Axle
Rear

Thickness
18 mm

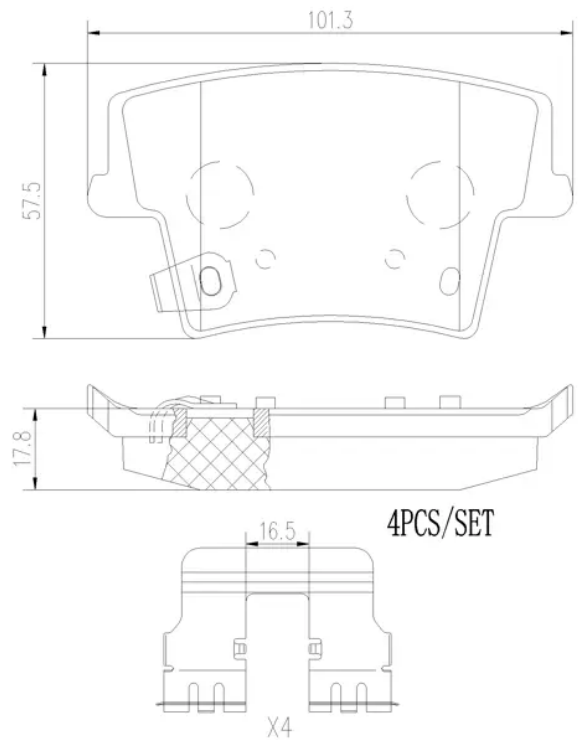
Width
101 mm

Height
58 mm

Wear indicator
Acoustic

WVA number
22209

Accessories
With anti-squeal shim



COMPATIBLE VEHICLES

COMPATIBLE OE PART NUMBERS

| | |
|---------------|----------|
| 05142560AA | CHRYSLER |
| 05142560AB | CHRYSLER |
| 05142561AB | CHRYSLER |
| 5137672AA | CHRYSLER |
| 5142560AA | CHRYSLER |
| 5142560AB | CHRYSLER |
| 5142561AB | CHRYSLER |
| 5172560AA | CHRYSLER |
| K5142560AA | CHRYSLER |
| K5142560AB | CHRYSLER |
| 00K68001440AC | DODGE |
| 05175818AA | DODGE |
| 5137672AA | DODGE |
| 5172560AA | DODGE |
| 5175818AA | DODGE |
| 68001440AC | DODGE |