



BRAKE PAD NAO P18025N

The P18025N NAO brake pad is synonymous with reliability

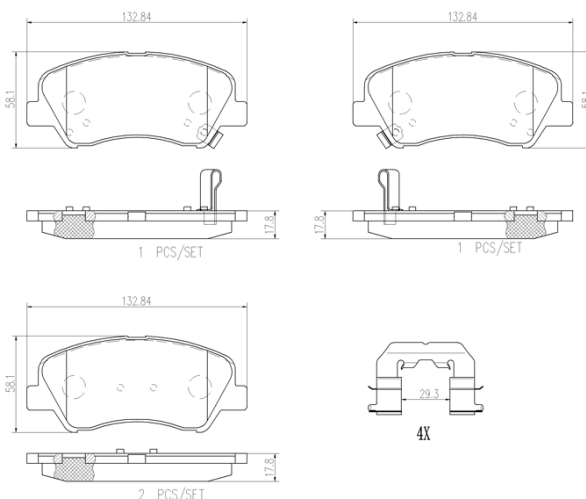
Brembo NAO brake pads stand out for their ultimate braking comfort, reduced friction wear and low dust mission, which makes for cleaner rims and reduced maintenance requirements. The advanced friction material in keeping with the strictest environmental standards is the main distinguishing feature of NAO compounds.

- ✓ OE-equivalent
- ✓ Brembo quality
- ✓ Safety
- ✓ Comfort
- ✓ Durability
- ✓ Dust reduction
- ✓ With accessories



Technical specifications

EAN code 8020584082416	Axle Front	Thickness 18 mm
Width 133 mm	Height 58 mm	Braking system Mando
Wear indicator Acoustic	WVA number 25350,25349,25348	Accessories With anti-squeal shim With accessories



COMPATIBLE VEHICLES

COMPATIBLE OE PART NUMBERS

106400172401 EMGRAND

106400172402 EMGRAND

1014026444 GEELY

1014029388 GEELY

4048003200 GEELY

4048008200 GEELY

4048059400 GEELY

8889939601 GEELY

581011RA00 HYUNDAI

581011RA05 HYUNDAI

581011RA10 HYUNDAI

581011VA00 HYUNDAI

581014LA00 HYUNDAI

58101C7A00 HYUNDAI

58101R1A30 HYUNDAI

581010UA00 HYUNDAI (BEIJING)

581010UA50 HYUNDAI (BEIJING)

58101BUA00 HYUNDAI (BEIJING)

58101J1A10 HYUNDAI (BEIJING)

58101S6A00 HYUNDAI (BEIJING)

1360212006K KIA

581011RA01 KIA

581011WA00 KIA

581011WA05 KIA

581011WA35 KIA

581014LA00 KIA

58101H8A00 KIA

S581011WA05 KIA

S581011WA35 KIA

581010UA00 KIA (DYK)

58101B5A00 KIA (DYK)

58101K8A00 KIA (DYK)
