



# BRAKE PAD PRIME CERAMIC P18034N

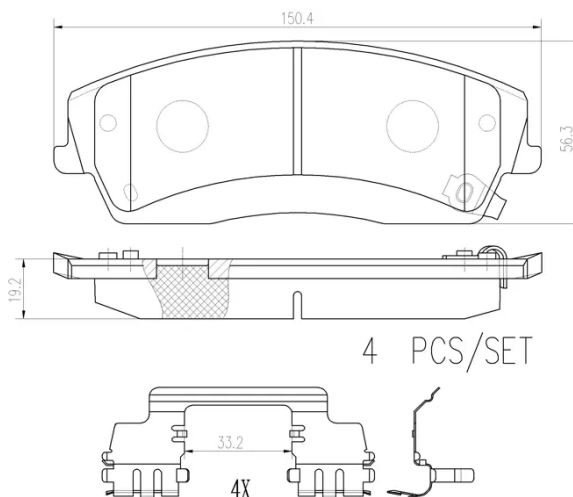
The P18034N NAO brake pad is  
synonymous with reliability

Brembo NAO brake pads stand out for their ultimate braking comfort, reduced friction wear and low dust mission, which makes for cleaner rims and reduced maintenance requirements. The advanced friction material in keeping with the strictest environmental standards is the main distinguishing feature of NAO compounds.

- ✓ OE-equivalent
- ✓ Brembo quality
- ✓ Safety
- ✓ Comfort
- ✓ Durability
- ✓ Dust reduction
- ✓ With accessories

## Technical specifications

EAN code	Axle	Thickness
<b>8020584118818</b>	<b>Front</b>	<b>19 mm</b>
Width	Height	Braking system
<b>150 mm</b>	<b>56 mm</b>	<b>Bosch</b>
Wear indicator	WVA number	Accessories
<b>Acoustic</b>	<b>22417</b>	<b>With anti-squeal shim</b>



COMPATIBLE VEHICLES

## COMPATIBLE OE PART NUMBERS

05174001AC	CHRYSLER
------------	----------

5174001AC	CHRYSLER
-----------	----------

5174001AD	CHRYSLER
-----------	----------

2AMV3001AA	DODGE
------------	-------

51425555AA	DODGE
------------	-------