



BRAKE PAD PRIME CERAMIC P36020N

The P36020N NAO brake pad is synonymous with reliability

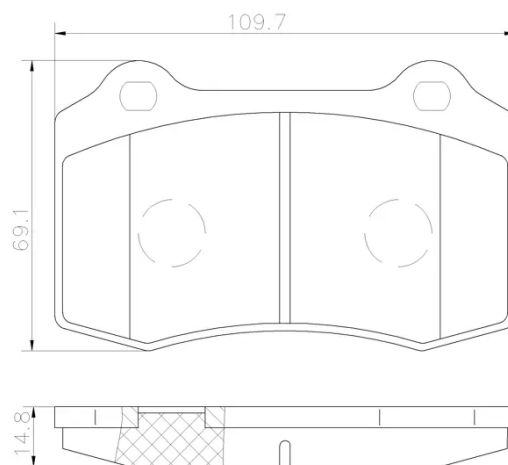
Brembo NAO brake pads stand out for their ultimate braking comfort, reduced friction wear and low dust mission, which makes for cleaner rims and reduced maintenance requirements. The advanced friction material in keeping with the strictest environmental standards is the main distinguishing feature of NAO compounds.

- ✓ OE-equivalent
- ✓ Brembo quality
- ✓ Safety
- ✓ Comfort
- ✓ Durability
- ✓ Dust reduction
- ✓ With accessories



Technical specifications

EAN code 8020584083444	Axle Front and rear	Thickness 15 mm
Width 110 mm	Height 69 mm	Braking system Brembo
Wear indicator Without	WVA number 21381	Accessories With anti-squeal shim



4 PCS/SET

COMPATIBLE VEHICLES

COMPATIBLE OE PART NUMBERS

2885759PK ASTON MARTIN

6KL698151 AUDI

1619607480 CITROËN

4254C6 CITROËN

JLM21282 DAIMLER

02C2C24016 JAGUAR

306451360 JAGUAR

306838580 JAGUAR

C2C24016 JAGUAR

C2C8361 JAGUAR

JLM21282 JAGUAR

MXD2750AA JAGUAR

1619607480 PEUGEOT

4254C6 PEUGEOT

6KL698151 SEAT

6KL698151 SKODA

30645136 VOLVO

30665552 VOLVO

30683858 VOLVO

6KL698151 VW
