



BRAKE PAD PRIME CERAMIC P37022N

The P37022N NAO brake pad is synonymous with reliability

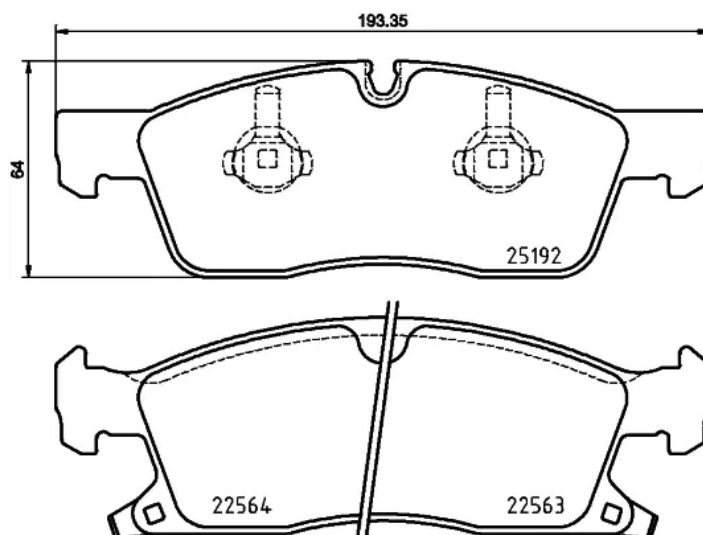
Brembo NAO brake pads stand out for their ultimate braking comfort, reduced friction wear and low dust mission, which makes for cleaner rims and reduced maintenance requirements. The advanced friction material in keeping with the strictest environmental standards is the main distinguishing feature of NAO compounds.



- ✓ OE-equivalent
- ✓ Brembo quality
- ✓ Safety
- ✓ Comfort
- ✓ Durability
- ✓ Dust reduction
- ✓ With accessories

Technical specifications

| | | |
|----------------|-------------------|---|
| EAN code | Axle | Thickness |
| 8020584113806 | Front | 21 mm |
| Width | Height | Braking system |
| 193 mm | 65 mm | TRW |
| Wear indicator | WVA number | Accessories |
| Acoustic | 22564,22563,25192 | With accessories With piston clip With anti-squeal shim |



COMPATIBLE VEHICLES

COMPATIBLE OE PART NUMBERS

| | |
|------------|-------|
| 68516695AC | DODGE |
|------------|-------|

| | |
|---------------|------|
| 00K68052370AC | JEEP |
|---------------|------|

| | |
|---------------|------|
| 00K68052370AD | JEEP |
|---------------|------|

| | |
|------------|------|
| 68052370AC | JEEP |
|------------|------|

| | |
|------------|------|
| 68052370AD | JEEP |
|------------|------|

| | |
|------------|------|
| 68052370AE | JEEP |
|------------|------|

| | |
|------------|------|
| 68052370AF | JEEP |
|------------|------|

| | |
|-------------|------|
| K68052370AC | JEEP |
|-------------|------|

| | |
|-------------|------|
| K68052370AD | JEEP |
|-------------|------|