



BRAKE PAD PRIME CERAMIC P49045N

The P49045N NAO brake pad is synonymous with reliability

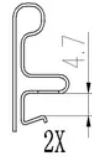
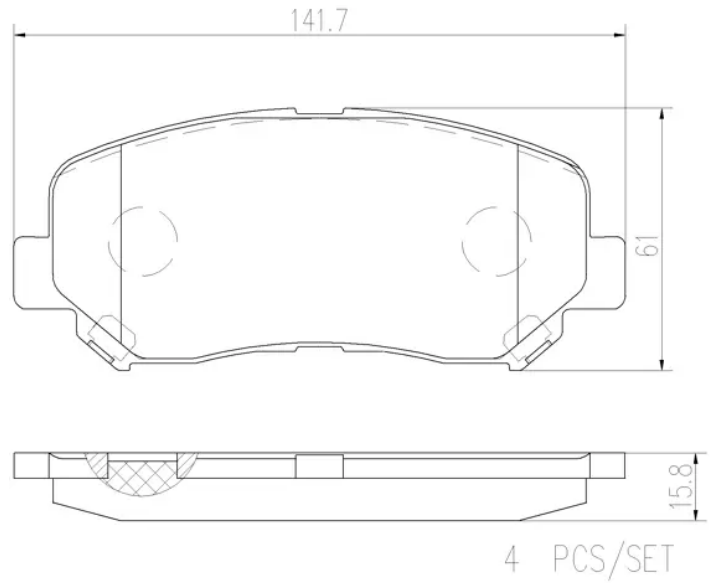
Brembo NAO brake pads stand out for their ultimate braking comfort, reduced friction wear and low dust mission, which makes for cleaner rims and reduced maintenance requirements. The advanced friction material in keeping with the strictest environmental standards is the main distinguishing feature of NAO compounds.

- ✓ OE-equivalent
- ✓ Brembo quality
- ✓ Safety
- ✓ Comfort
- ✓ Durability
- ✓ Dust reduction
- ✓ With accessories



Technical specifications

| | | |
|-----------------------------------|----------------------------|---|
| EAN code 8020584081853 | Axle Front | Thickness 16 mm |
| Width 142 mm | Height 61 mm | Braking system Akebono |
| Wear indicator Acoustic | WVA number 25564 | Accessories With accessories With anti-squeal shim With piston clip |



COMPATIBLE VEHICLES

COMPATIBLE OE PART NUMBERS

| | |
|--------------|-----------------|
| K0Y13323Z | MAZDA |
| K0Y13328Z | MAZDA |
| K0Y13328ZA | MAZDA |
| K0Y13328ZB | MAZDA |
| KCYR3328Z | MAZDA |
| KDY93328Z | MAZDA |
| KDY93328Z9C | MAZDA |
| KDY93328ZA | MAZDA |
| KDY93328ZA9C | MAZDA |
| KGY03328Z | MAZDA |
| KRY23328Z | MAZDA |
| KRY23328ZA | MAZDA (CHANGAN) |