



# BRAKE PAD PRIME CERAMIC P50073N

**The P50073N NAO brake pad is synonymous with reliability**

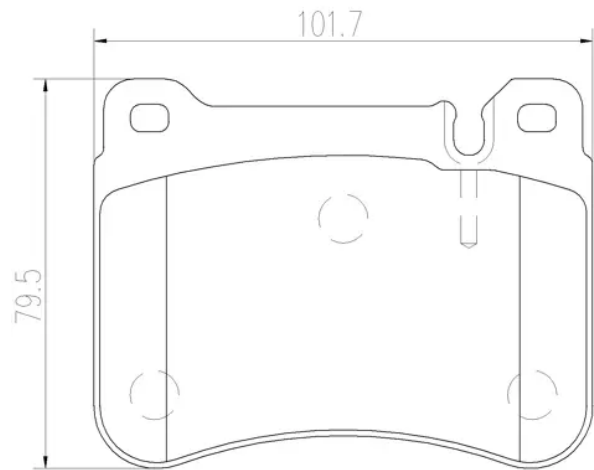
Brembo NAO brake pads stand out for their ultimate braking comfort, reduced friction wear and low dust mission, which makes for cleaner rims and reduced maintenance requirements. The advanced friction material in keeping with the strictest environmental standards is the main distinguishing feature of NAO compounds.

- ✓ OE-equivalent
- ✓ Brembo quality
- ✓ Safety
- ✓ Comfort
- ✓ Durability
- ✓ Dust reduction
- ✓ With accessories



## Technical specifications

EAN code	Axle	Thickness
<b>8020584098547</b>	<b>Front</b>	<b>17 mm</b>
Width	Height	Braking system
<b>102 mm</b>	<b>80 mm</b>	<b>Brembo</b>
Wear indicator	WVA number	Accessories
<b>Prepared for wear indicator</b>	<b>23945</b>	<b>With anti-squeal shim</b> <b>With brake caliper bolts</b> <b>With accessories</b>



4 PCS/SET

COMPATIBLE VEHICLES

## COMPATIBLE OE PART NUMBERS

0044205120	MERCEDES-BENZ
004420512041	MERCEDES-BENZ
A0044205120	MERCEDES-BENZ