

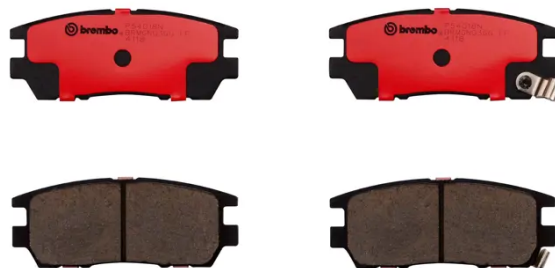


# BRAKE PAD PRIME CERAMIC P54018N

The P54018N NAO brake pad is synonymous with reliability

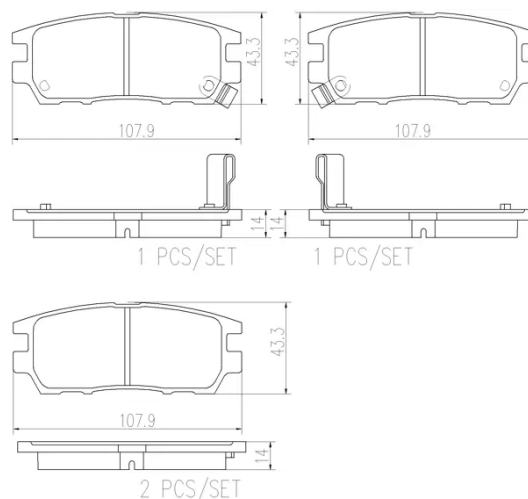
Brembo NAO brake pads stand out for their ultimate braking comfort, reduced friction wear and low dust mission, which makes for cleaner rims and reduced maintenance requirements. The advanced friction material in keeping with the strictest environmental standards is the main distinguishing feature of NAO compounds.

- ✓ OE-equivalent
- ✓ Brembo quality
- ✓ Safety
- ✓ Comfort
- ✓ Durability
- ✓ Dust reduction
- ✓ With accessories



## Technical specifications

EAN code <b>8020584086285</b>	Axle <b>Rear</b>	Thickness <b>14 mm</b>
Width <b>108 mm</b>	Height <b>43 mm</b>	Braking system <b>Akebono</b>
Wear indicator <b>Acoustic</b>	WVA number <b>21840,21841,21842</b>	Accessories <b>With anti-squeal shim</b>



COMPATIBLE VEHICLES

## COMPATIBLE OE PART NUMBERS

MR129579	CHRYSLER
MB858463	MITSUBISHI
MN102623	MITSUBISHI
MR205269	MITSUBISHI
MR389571	MITSUBISHI
MR389572	MITSUBISHI
MR389628	MITSUBISHI
MZ690009	MITSUBISHI
MZ690009EU	MITSUBISHI
MZ690030	MITSUBISHI
MZ690050	MITSUBISHI
MZ690170	MITSUBISHI
MZ690344	MITSUBISHI
X3516004	MITSUBISHI
AY060MT003	NISSAN