

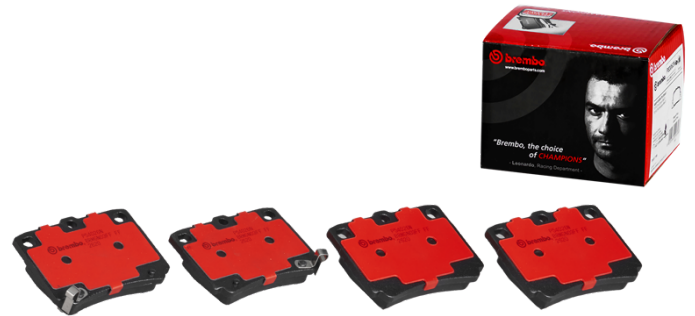


BRAKE PAD NAO P54026N

The P54026N NAO brake pad is synonymous with reliability

Brembo NAO brake pads stand out for their ultimate braking comfort, reduced friction wear and low dust mission, which makes for cleaner rims and reduced maintenance requirements. The advanced friction material in keeping with the strictest environmental standards is the main distinguishing feature of NAO compounds.

- ✓ OE-equivalent
- ✓ Brembo quality
- ✓ Safety
- ✓ Comfort
- ✓ Durability
- ✓ Dust reduction
- ✓ With accessories



Technical specifications

EAN code
8020584084977

Axle
Rear

Thickness
15 mm

Width
79 mm

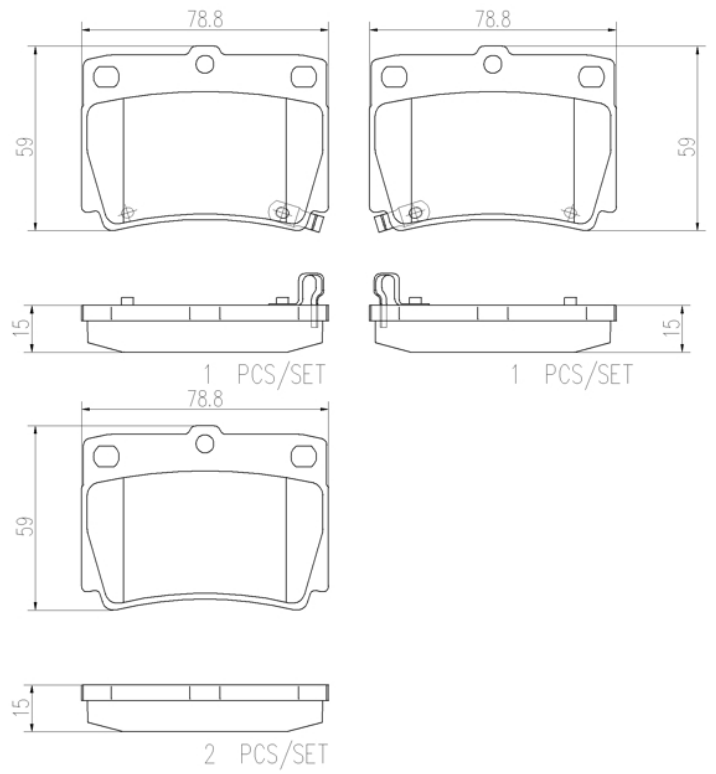
Height
59 mm

Braking system
Sumitomo

Wear indicator
Acoustic

WVA number
23594,23595,23593

Accessories
With anti-squeal shim



COMPATIBLE VEHICLES

COMPATIBLE OE PART NUMBERS

4605A783	mitsubishi
4605B291	mitsubishi
MN102626	mitsubishi
MR307415	mitsubishi
MR389575	mitsubishi
MZ690027	mitsubishi
MZ690047	mitsubishi
4605B291	mitsubishi (GAC)