



BRAKE PAD NAO P54034N

The P54034N NAO brake pad is synonymous with reliability

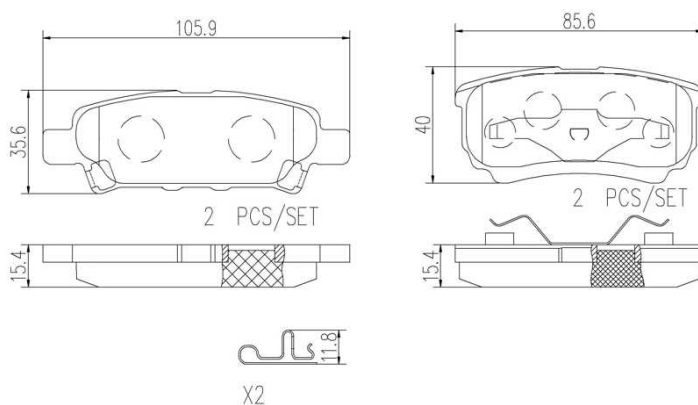
Brembo NAO brake pads stand out for their ultimate braking comfort, reduced friction wear and low dust mission, which makes for cleaner rims and reduced maintenance requirements. The advanced friction material in keeping with the strictest environmental standards is the main distinguishing feature of NAO compounds.

- ✓ OE-equivalent
- ✓ Brembo quality
- ✓ Safety
- ✓ Comfort
- ✓ Durability
- ✓ Dust reduction
- ✓ With accessories



Technical specifications

EAN code 8020584112205	Axle Rear	Thickness 15 mm
Width 86 mm	Height 36 mm	Braking system Akebono
Wear indicator Acoustic	WVA number 24014,24015	Accessories With anti-squeal shim



COMPATIBLE VEHICLES

COMPATIBLE OE PART NUMBERS

05191271AC	CHRYSLER
K05191271AA	CHRYSLER
K05191271AB	CHRYSLER
K05191271AC	CHRYSLER
05191271AA	DODGE
05191271AB	DODGE
5191271AC	DODGE
2AMV4271AA	JEEP
5191271AA	JEEP
5191271AB	JEEP
K5191271AA	JEEP
K5191271AB	JEEP
53379837	JEEP (GAC FCA)
4605A336	MITSUBISHI
4605A337	MITSUBISHI
4605A479	MITSUBISHI
4605A493	MITSUBISHI
4605A558	MITSUBISHI
5191217AC	MITSUBISHI
MN116929	MITSUBISHI
MR955068	MITSUBISHI
MZ690187	MITSUBISHI
MZ690350	MITSUBISHI
MZ690569	MITSUBISHI
MZ690586	MITSUBISHI
TS200051	MITSUBISHI
SE0012117	MITSUBISHI (SOUEAST)