



BRAKE PAD PRIME CERAMIC P54039N

The P54039N NAO brake pad is synonymous with reliability

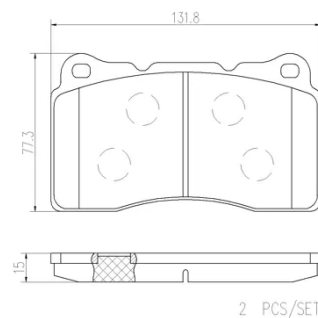
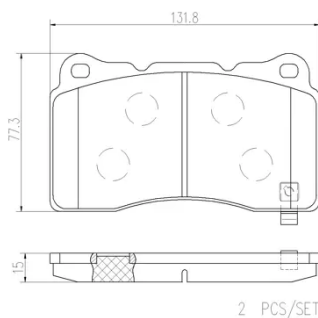
Brembo NAO brake pads stand out for their ultimate braking comfort, reduced friction wear and low dust mission, which makes for cleaner rims and reduced maintenance requirements. The advanced friction material in keeping with the strictest environmental standards is the main distinguishing feature of NAO compounds.

- ✓ OE-equivalent
- ✓ Brembo quality
- ✓ Safety
- ✓ Comfort
- ✓ Durability
- ✓ Dust reduction
- ✓ With accessories



Technical specifications

EAN code 8020584098653	Axle Front	Thickness 15 mm
Width 132 mm	Height 77 mm	Braking system Brembo
Wear indicator Acoustic	WVA number 23092,23325	Accessories With anti-squeal shim



COMPATIBLE VEHICLES

COMPATIBLE OE PART NUMBERS

45022TV8E02

HONDA

26296FE040

MITSUBISHI

26296FE041

MITSUBISHI

4605A049

MITSUBISHI

4605A572

MITSUBISHI

4605A694

MITSUBISHI

MR407376

MITSUBISHI

MR407377

MITSUBISHI

26296FE010

SUBARU

26296FE040

SUBARU

26296FE041

SUBARU

26296FE042

SUBARU

26296FE100

SUBARU

26296FE120

SUBARU

SU00307217

TOYOTA