



BRAKE PAD PRIME CERAMIC P61100N

The P61100N NAO brake pad is synonymous with reliability



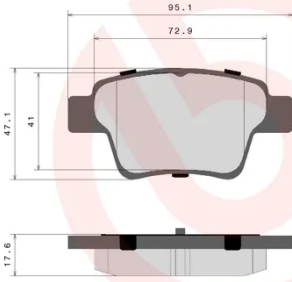

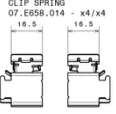
Brembo NAO brake pads stand out for their ultimate braking comfort, reduced friction wear and low dust mission, which makes for cleaner rims and reduced maintenance requirements. The advanced friction material in keeping with the strictest environmental standards is the main distinguishing feature of NAO compounds.

- ✓ OE-equivalent
- ✓ Brembo quality
- ✓ Safety
- ✓ Comfort
- ✓ Durability
- ✓ Dust reduction
- ✓ With accessories



Technical specifications

EAN code 8020584089484	Axle Rear	Thickness 18 mm
Width 95 mm	Height 47 mm	Braking system Bosch
Wear indicator Without	WVA number 24737	Accessories With anti-squeal shim With brake caliper bolts With accessories

	P61100N		407.E672.505.N
		SCREW 05.E659.012 - x2  CLIP SPRING 07.E658.014 - x4/x4 18.5 18.5 	
WVA: 24737 QTY: x4			
DATE : 13/12/2023 VERSION : 00			

COMPATIBLE OE PART NUMBERS

4586004	AEOLUS
---------	--------

1019993400	BYD
------------	-----

1059315100	BYD
------------	-----

425340	CITROËN
--------	---------

425401	CITROËN
--------	---------

425419	CITROËN
--------	---------

425440	CITROËN
--------	---------

E172270	CITROËN
---------	---------

4586004	FENGSHEN
---------	----------

SX635021	FENGXING
----------	----------

425340	PEUGEOT
--------	---------

425401	PEUGEOT
--------	---------

425419	PEUGEOT
--------	---------

425440	PEUGEOT
--------	---------

E172270	PEUGEOT
---------	---------