



BRAKE PAD PRIME CERAMIC P61117N

The P61117N NAO brake pad is synonymous with reliability

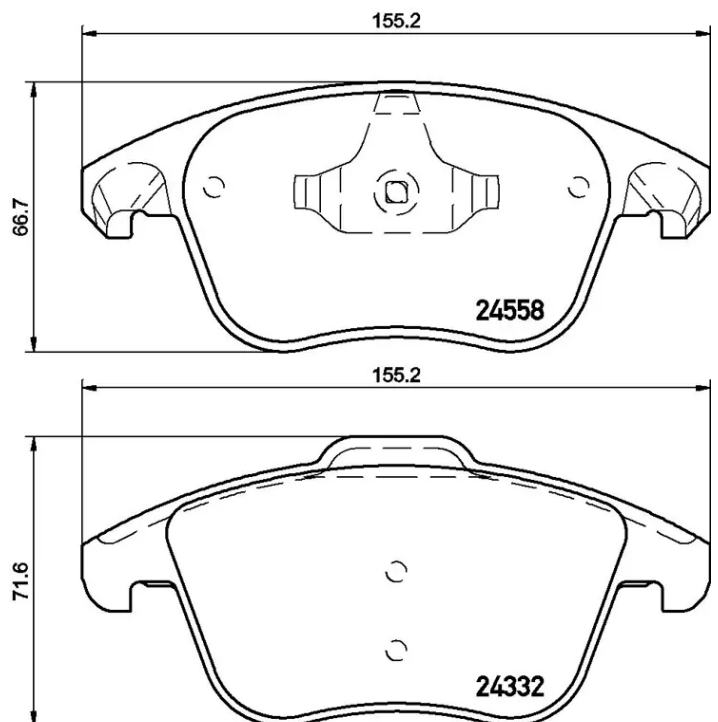
Brembo NAO brake pads stand out for their ultimate braking comfort, reduced friction wear and low dust mission, which makes for cleaner rims and reduced maintenance requirements. The advanced friction material in keeping with the strictest environmental standards is the main distinguishing feature of NAO compounds.

- ✓ OE-equivalent
- ✓ Brembo quality
- ✓ Safety
- ✓ Comfort
- ✓ Durability
- ✓ Dust reduction
- ✓ With accessories



Technical specifications

EAN code 8020584114186	Axle Front	Thickness 18 mm
Width 155 mm	Height 67 mm	Braking system Teves
Wear indicator Without	WVA number 24332,24558	Accessories With piston clip With accessories With anti-squeal shim



COMPATIBLE OE PART NUMBERS

1609987980	CITROËN
------------	---------

1617273380	CITROËN
------------	---------

425477	CITROËN
--------	---------

E172338	CITROËN
---------	---------

425477	DS
--------	----

1609987980	PEUGEOT
------------	---------

1617273380	PEUGEOT
------------	---------

1647874180	PEUGEOT
------------	---------

425477	PEUGEOT
--------	---------