



BRAKE PAD PRIME CERAMIC P61126N

The P61126N NAO brake pad is
synonymous with reliability

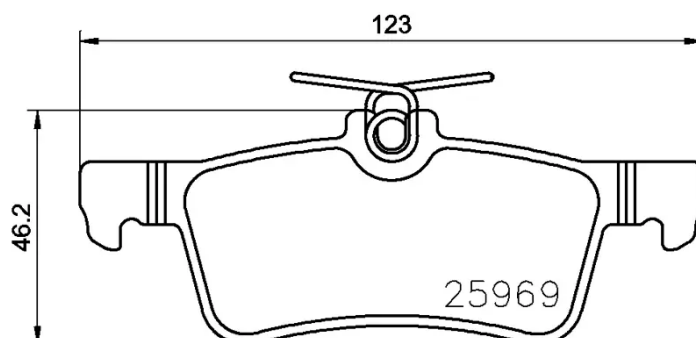
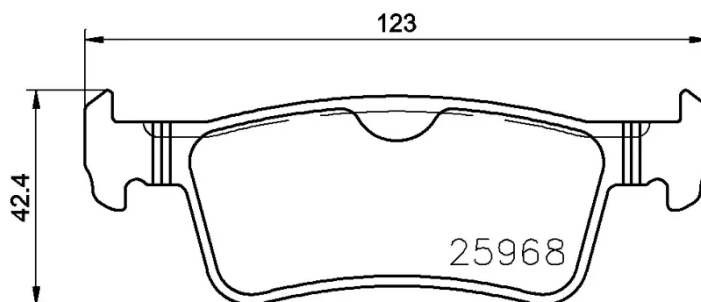
Brembo NAO brake pads stand out for their ultimate braking comfort, reduced friction wear and low dust mission, which makes for cleaner rims and reduced maintenance requirements. The advanced friction material in keeping with the strictest environmental standards is the main distinguishing feature of NAO compounds.

- ✓ OE-equivalent
- ✓ Brembo quality
- ✓ Safety
- ✓ Comfort
- ✓ Durability
- ✓ Dust reduction
- ✓ With accessories



Technical specifications

EAN code 8020584114247	Axle Rear	Thickness 16 mm
Width 123 mm	Height 42 mm	Braking system Teves
Wear indicator Without	WVA number 25968,25969	Accessories With anti-squeal shim



COMPATIBLE VEHICLES

COMPATIBLE OE PART NUMBERS

1611331480

PEUGEOT

1619791480

PEUGEOT

1612910380

PEUGEOT (DF-PSA)
