



BRAKE PAD PRIME CERAMIC P65031N

The P65031N NAO brake pad is synonymous with reliability

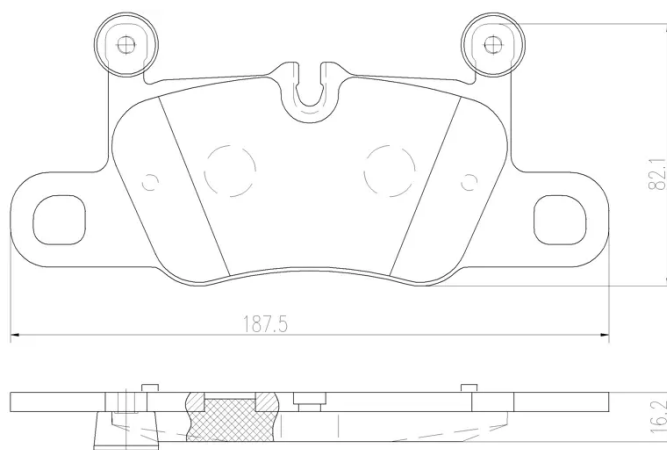
Brembo NAO brake pads stand out for their ultimate braking comfort, reduced friction wear and low dust mission, which makes for cleaner rims and reduced maintenance requirements. The advanced friction material in keeping with the strictest environmental standards is the main distinguishing feature of NAO compounds.

- ✓ OE-equivalent
- ✓ Brembo quality
- ✓ Safety
- ✓ Comfort
- ✓ Durability
- ✓ Dust reduction
- ✓ With accessories



Technical specifications

EAN code	Axle	Thickness
8020584114308	Rear	16 mm
Width	Height	Braking system
188 mm	82 mm	Brembo
Wear indicator	WVA number	Accessories
Prepared for wear indicator	25691	With anti-squeal shim With counterweights



4 PES/SET

COMPATIBLE VEHICLES

COMPATIBLE OE PART NUMBERS

99135294900 PORSCHE

99135294901 PORSCHE

99135294902 PORSCHE

99135294903 PORSCHE

99135294904 PORSCHE

992698093 PORSCHE

992698093B PORSCHE

992698451H PORSCHE

992698451K PORSCHE

9J1698451A PORSCHE

9J1698451F PORSCHE

9Y0698451AG PORSCHE

9Y0698451R PORSCHE
