



# BRAKE PAD PRIME CERAMIC P85140N

The P85140N NAO brake pad is  
synonymous with reliability

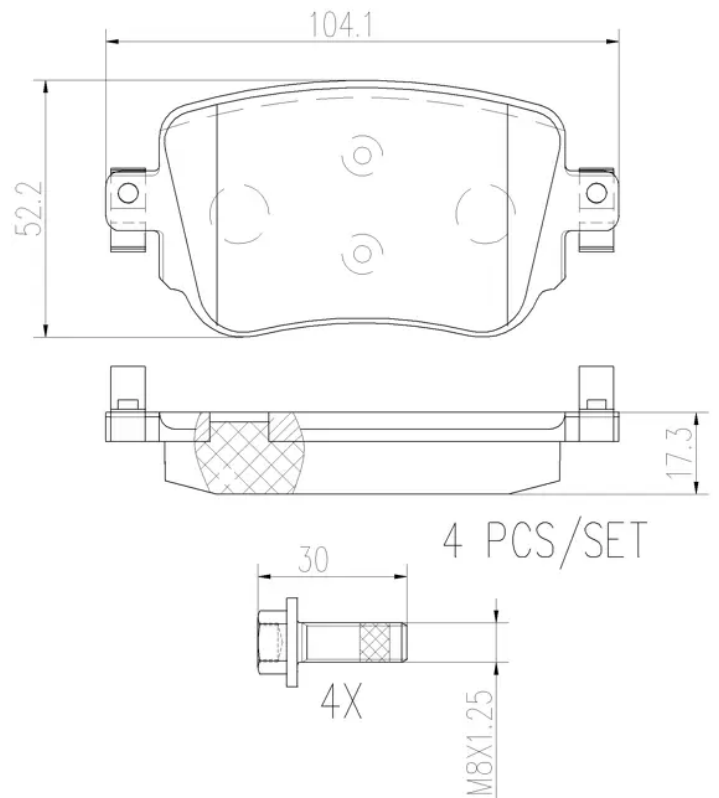
Brembo NAO brake pads stand out for their ultimate braking comfort, reduced friction wear and low dust mission, which makes for cleaner rims and reduced maintenance requirements. The advanced friction material in keeping with the strictest environmental standards is the main distinguishing feature of NAO compounds.

- ✓ OE-equivalent
- ✓ Brembo quality
- ✓ Safety
- ✓ Comfort
- ✓ Durability
- ✓ Dust reduction
- ✓ With accessories



## Technical specifications

EAN code <b>8020584068144</b>	Axle <b>Rear</b>	Thickness <b>18 mm</b>
Width <b>104 mm</b>	Height <b>52 mm</b>	Braking system <b>TRW</b>
Wear indicator <b>Acoustic</b>	WVA number <b>25110</b>	Accessories <b>With anti-squeal shim</b> <b>With brake caliper bolts</b> <b>With accessories</b>



## COMPATIBLE VEHICLES

## COMPATIBLE OE PART NUMBERS

2Q0698451A	AUDI
5Q0698451AL	AUDI
7N0698451A	AUDI
8U0698451F	AUDI
2Q0698451A	SEAT
5Q0698451AL	SEAT
7N0698451A	SEAT
8U0698451F	SEAT
2Q0698451A	SKODA
7N0698451A	SKODA
8U0698451F	SKODA
2Q0698451A	VW
5Q0698451AL	VW
7N0698451A	VW
7N0698451C	VW
8U0698451F	VW