



# BRAKE PAD

## P 06 097

The P 06 097 brake pad is synonymous with reliability

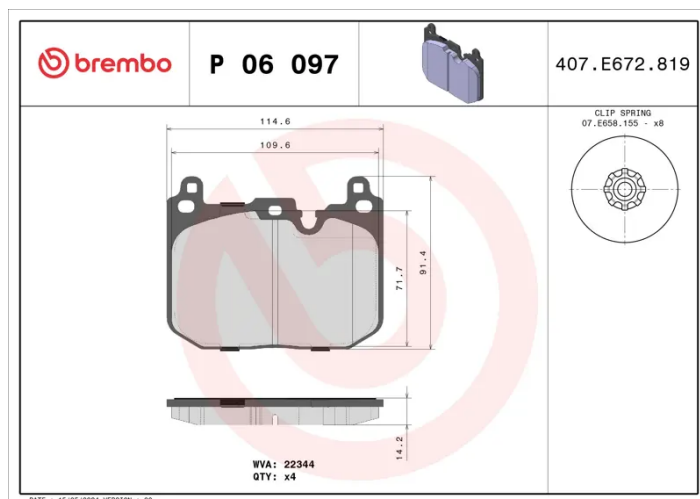
The Brembo brake pad guarantees ultimate safety when braking thanks to the use of more than 100 different compounds, designed according to the type of vehicle and use. Stopping distances reduced to a minimum, maximum driving comfort and silent operation are the most important features of Brembo materials. Brembo brake pads are supplied together with an extensive range of accessories and assembly kits for professional-standard installation.



- ✓ OE-equivalent
- ✓ Brembo quality
- ✓ ECE-R90 certificate
- ✓ Safety
- ✓ Performance
- ✓ Comfort
- ✓ With accessories

### Technical specifications

EAN code <b>8020584086933</b>	Axle <b>Front</b>	Thickness <b>15 mm</b>
Width <b>115 mm</b>	Height <b>91 mm</b>	Braking system <b>Brembo</b>
Wear indicator <b>Prepared for wear indicator</b>	WVA number <b>22344</b>	Accessories <b>With anti-squeal shim</b> <b>With accessories</b>



**COMPATIBLE VEHICLES**

## COMPATIBLE OE PART NUMBERS

34106860020	MINI
-------------	------

---

34106884224	MINI
-------------	------

---

6860020	MINI
---------	------

---

6884224	MINI
---------	------

---

6889266	MINI
---------	------

---