



BRAKE PAD

P 23 103

The P 23 103 brake pad is synonymous with reliability

The Brembo brake pad guarantees ultimate safety when braking thanks to the use of more than 100 different compounds, designed according to the type of vehicle and use. Stopping distances reduced to a minimum, maximum driving comfort and silent operation are the most important features of Brembo materials. Brembo brake pads are supplied together with an extensive range of accessories and assembly kits for professional-standard installation.

- ✓ OE-equivalent
- ✓ Brembo quality
- ✓ ECE-R90 certificate
- ✓ Safety
- ✓ Performance
- ✓ Comfort



Technical specifications

EAN code
8020584059395

Axle
Front

Thickness
21 mm

Width
156 mm

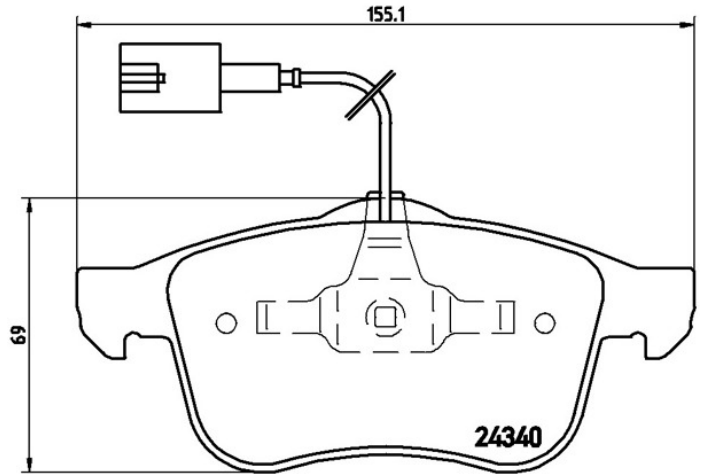
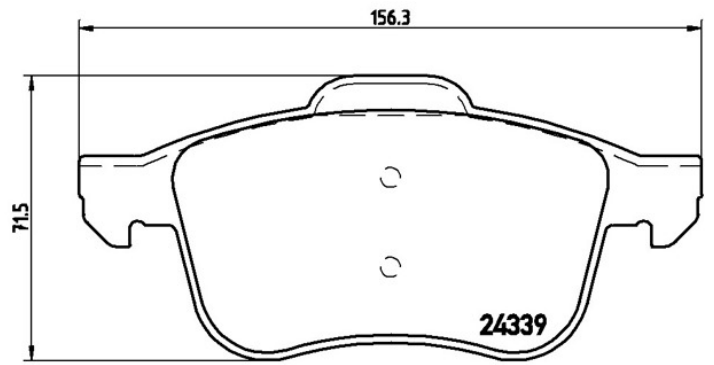
Height
69 mm

Braking system
Teves

Wear indicator
Electric

WVA number
24339,24340

Accessories
With piston clip



COMPATIBLE VEHICLES

COMPATIBLE OE PART NUMBERS

00000071772534	ALFA ROMEO
0000071772534	ALFA ROMEO
71772534	ALFA ROMEO
77363599	ALFA ROMEO
77364587	ALFA ROMEO
00000071772218	FIAT
71772218	FIAT
77364587	FIAT
77364587	LANCIA