



BRAKE PAD

P 28 072

The P 28 072 brake pad is synonymous with reliability

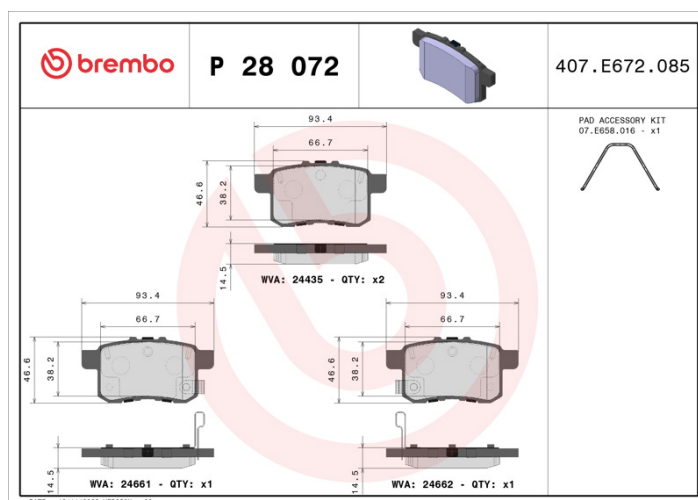
The Brembo brake pad guarantees ultimate safety when braking thanks to the use of more than 100 different compounds, designed according to the type of vehicle and use. Stopping distances reduced to a minimum, maximum driving comfort and silent operation are the most important features of Brembo materials. Brembo brake pads are supplied together with an extensive range of accessories and assembly kits for professional-standard installation.

- ✓ OE-equivalent
- ✓ Brembo quality
- ✓ ECE-R90 certificate
- ✓ Safety
- ✓ Performance
- ✓ Comfort



Technical specifications

EAN code 8020584109496	Axle Rear	Thickness 15 mm
Width 94 mm	Height 47 mm	Braking system Nissin
Wear indicator Acoustic	WVA number 24662,24661,24435	



COMPATIBLE VEHICLES

COMPATIBLE OE PART NUMBERS

43022TA0A00	HONDA
-------------	-------

43022TA0A000	HONDA
--------------	-------

43022TA0A40	HONDA
-------------	-------

43022TA0A41	HONDA
-------------	-------

43022TA0A51	HONDA
-------------	-------

43022TA0A52	HONDA
-------------	-------

43022TA0A70	HONDA
-------------	-------

43022TA0A80	HONDA
-------------	-------

43022TA0A81	HONDA
-------------	-------

43022TL1G00	HONDA
-------------	-------

43022TL1G01	HONDA
-------------	-------

43022TL1G02	HONDA
-------------	-------

H4302TA0003	HONDA
-------------	-------

43022TA0A80	PROTON
-------------	--------