



# BRAKE PAD

## P 50 038

The P 50 038 brake pad is synonymous with reliability

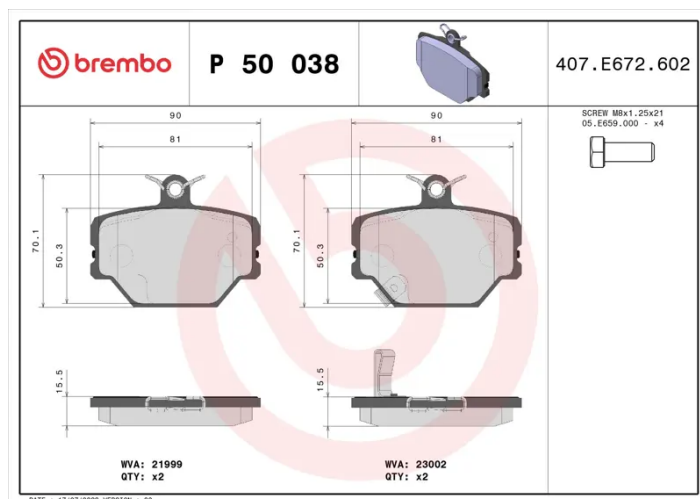
The Brembo brake pad guarantees ultimate safety when braking thanks to the use of more than 100 different compounds, designed according to the type of vehicle and use. Stopping distances reduced to a minimum, maximum driving comfort and silent operation are the most important features of Brembo materials. Brembo brake pads are supplied together with an extensive range of accessories and assembly kits for professional-standard installation.

- ✓ OE-equivalent
- ✓ Brembo quality
- ✓ ECE-R90 certificate
- ✓ Safety
- ✓ Performance
- ✓ Comfort
- ✓ With accessories



### Technical specifications

EAN code <b>8020584054109</b>	Axle <b>Front</b>	Thickness <b>16 mm</b>
Width <b>90 mm</b>	Height <b>70 mm</b>	Braking system <b>Bosch</b>
Wear indicator <b>Acoustic</b>	WVA number <b>23002,21999</b>	Accessories <b>With anti-squeal shim With brake caliper bolts With accessories</b>



**COMPATIBLE VEHICLES**

## COMPATIBLE OE PART NUMBERS

0001431V0030000 CHRYSLER

---

0004200505 MERCEDES-BENZ

---

4514210010 MERCEDES-BENZ

---

A0004200505 MERCEDES-BENZ

---

A4514210010 MERCEDES-BENZ

---

0001431V002000000 SMART

---

0001431V003000000 SMART

---

0001431V004000000 SMART

---

4200505 SMART

---

4514210010 SMART

---

4514210110 SMART

---

4514210210 SMART

---

451421021064 SMART

---

A4514210010 SMART

---

A4514210110 SMART

---

A4514210210 SMART

---

C0001431V002 SMART

---

C0001431V002000000 SMART

---

Q0001431V004000000 SMART

---