



BRAKE PAD

P 50 051

The P 50 051 brake pad is synonymous with reliability



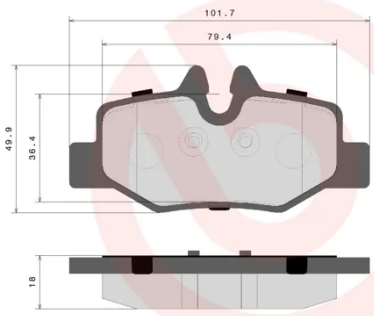

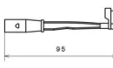
The Brembo brake pad guarantees ultimate safety when braking thanks to the use of more than 100 different compounds, designed according to the type of vehicle and use. Stopping distances reduced to a minimum, maximum driving comfort and silent operation are the most important features of Brembo materials. Brembo brake pads are supplied together with an extensive range of accessories and assembly kits for professional-standard installation.

- ✓ OE-equivalent
- ✓ Brembo quality
- ✓ ECE-R90 certificate
- ✓ Safety
- ✓ Performance
- ✓ Comfort
- ✓ With accessories



Technical specifications

EAN code 8020584054239	Axle Rear	Thickness 18 mm
Width 102 mm	Height 50 mm	Braking system Bosch
Wear indicator Electric	WVA number 24008	Accessories With anti-squeal shim With brake caliper bolts With accessories

	P 50 051		407.E672.708
		<small>SCREW M8x1x22 05.E659.000 - x4</small>  <small>ELECTRIC WEAR INDICATOR 07.E654.231 - x2</small> 	
<small>WVA: 24008 QTY: x4</small>			
<small>DATE : 09/09/2022 VERSION : 00</small>			

COMPATIBLE VEHICLES

COMPATIBLE OE PART NUMBERS

0004216210	MERCEDES-BENZ
0014211010	MERCEDES-BENZ
0034208120	MERCEDES-BENZ
0064204420	MERCEDES-BENZ
6364200320	MERCEDES-BENZ
A0004216210	MERCEDES-BENZ
A0014211010	MERCEDES-BENZ
A0034208120	MERCEDES-BENZ
A0064204420	MERCEDES-BENZ
A6364200320	MERCEDES-BENZ
6364200320	MERCEDES-BENZ (FJDA)
A6364200320	MERCEDES-BENZ (FJDA)