



BRAKE PAD

P 65 007

The P 65 007 brake pad is synonymous with reliability

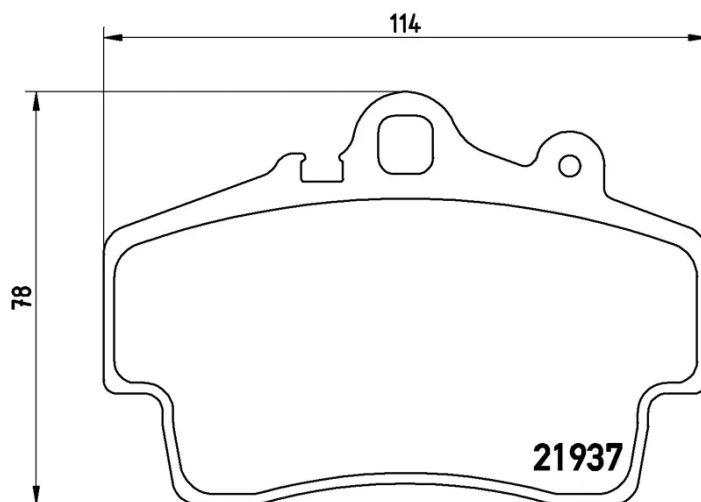
The Brembo brake pad guarantees ultimate safety when braking thanks to the use of more than 100 different compounds, designed according to the type of vehicle and use. Stopping distances reduced to a minimum, maximum driving comfort and silent operation are the most important features of Brembo materials. Brembo brake pads are supplied together with an extensive range of accessories and assembly kits for professional-standard installation.

- ✓ OE-equivalent
- ✓ Brembo quality
- ✓ ECE-R90 certificate
- ✓ Safety
- ✓ Performance
- ✓ Comfort



Technical specifications

EAN code	Axle	Thickness
8020584056622	Front	16 mm
Width	Height	Braking system
114 mm	78 mm	Brembo
Wear indicator	WVA number	Accessories
Prepared for wear indicator	21937	With anti-squeal shim



COMPATIBLE VEHICLES

COMPATIBLE OE PART NUMBERS

98635139311 PORSCHE

98635193911 PORSCHE

98635193913 PORSCHE

98635193915 PORSCHE

98735193902 PORSCHE

98735193903 PORSCHE
