



BRAKE PAD

P 65 040

The P 65 040 brake pad is synonymous with reliability



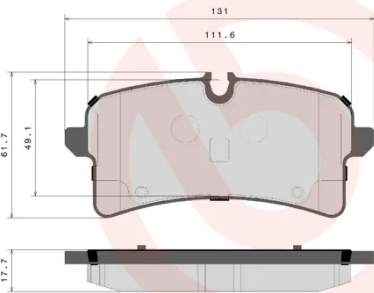

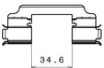
The Brembo brake pad guarantees ultimate safety when braking thanks to the use of more than 100 different compounds, designed according to the type of vehicle and use. Stopping distances reduced to a minimum, maximum driving comfort and silent operation are the most important features of Brembo materials. Brembo brake pads are supplied together with an extensive range of accessories and assembly kits for professional-standard installation.

- ✓ OE-equivalent
- ✓ Brembo quality
- ✓ ECE-R90 certificate
- ✓ Safety
- ✓ Performance
- ✓ Comfort
- ✓ With accessories



Technical specifications

EAN code 8020584084380	Axle Rear	Thickness 17 mm
Width 131 mm	Height 62 mm	Braking system TRW
Wear indicator Prepared for wear indicator	WVA number 25642	Accessories With accessories With anti-squeal shim With brake caliper bolts

	P 65 040		407.E672.351
		SCREW M8x1.25x21 05.E659.000 - x4  CLIP SPRING 07.E658.005 - x4 	
WVA: 25642 QTY: x4			
<small>DATE : 09/09/2022 VERSION : 00</small>			

COMPATIBLE VEHICLES

COMPATIBLE OE PART NUMBERS

95B698451	PORSCHE
-----------	---------

95B698451A	PORSCHE
------------	---------

95B698451B	PORSCHE
------------	---------

95B698451F	PORSCHE
------------	---------

95B698451G	PORSCHE
------------	---------

95B698451J	PORSCHE
------------	---------

95B698451L	PORSCHE
------------	---------