



# BRAKE PAD

## P 83 052

**The P 83 052 brake pad is synonymous with reliability**

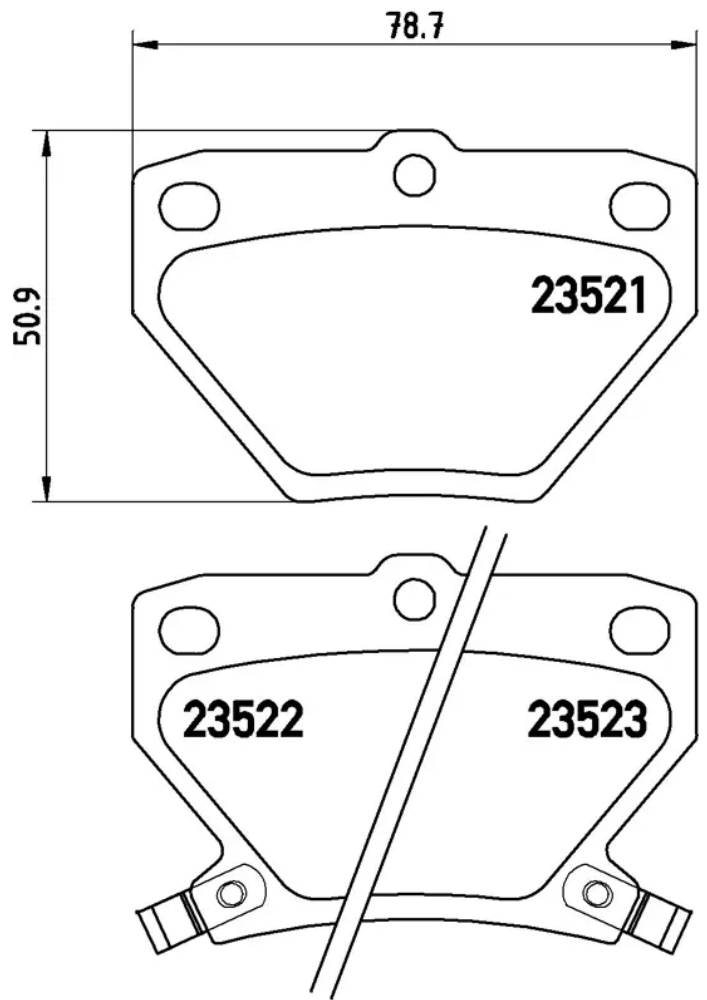
The Brembo brake pad guarantees ultimate safety when braking thanks to the use of more than 100 different compounds, designed according to the type of vehicle and use. Stopping distances reduced to a minimum, maximum driving comfort and silent operation are the most important features of Brembo materials. Brembo brake pads are supplied together with an extensive range of accessories and assembly kits for professional-standard installation.

- ✓ OE-equivalent
- ✓ Brembo quality
- ✓ ECE-R90 certificate
- ✓ Safety
- ✓ Performance
- ✓ Comfort



## Technical specifications

EAN code	Axle	Thickness
8020584057872	Rear	14 mm
Width	Height	Braking system
79 mm	51 mm	Sumitomo
Wear indicator	WVA number	Accessories
Acoustic	23521,23522,23523	With anti-squeal shim



## COMPATIBLE VEHICLES

## COMPATIBLE OE PART NUMBERS

88972099	PONTIAC
0446620090	TOYOTA
0446652010	TOYOTA
0446652020	TOYOTA
0446652030	TOYOTA
0446652040	TOYOTA
0446652050	TOYOTA
0446652060	TOYOTA
0446652090	TOYOTA
04466YZZD5	TOYOTA