



# SPORT | TY3 BRAKE DISC

## 59.E114.75

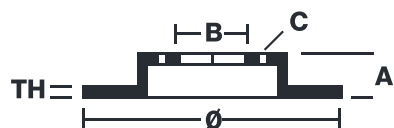
The **59.E114.75** brake disc is synonymous with reliability

Type-3 slotting used to distinguish the Brembo SPORT | TY3 brake disc is widely used in professional motorsports. It therefore offers superior initial response with excellent release characteristics, improving braking performance while giving the vehicle an aggressive appearance. The Brembo logo on the braking surface adds an exclusive and unique touch to the vehicle. The SPORT | TY3 brake discs are plug-and-play since they replace OE discs directly.

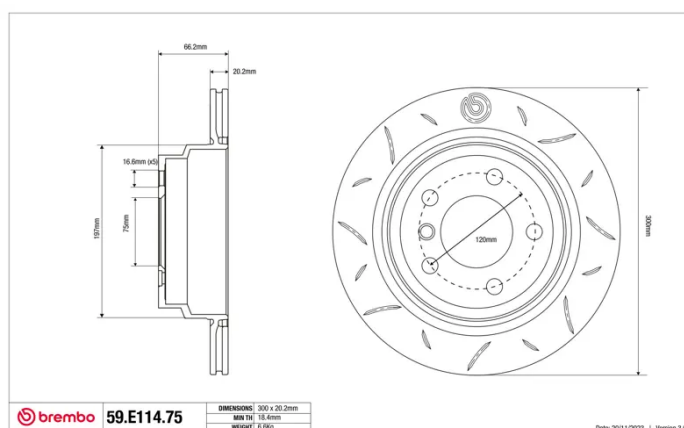
- ✓ OE-equivalent
- ✓ Brembo quality
- ✓ ECE-R90 certificate
- ✓ Safety
- ✓ Performance
- ✓ Comfort
- ✓ Sports driving
- ✓ Sparty look



### Technical specifications



Diameter	Thickness (TH)	Height (A)
<b>300</b> mm	<b>20</b> mm	<b>66</b> mm
Number of holes (C)	Brake disc type	Centering
<b>5</b>	<b>Solid</b>	<b>75</b> mm
Min. thickness	Axle	
<b>18,4</b> mm	<b>Rear</b>	
Units per box	EAN code	
<b>1</b>	<b>8020584605486</b>	



 **59.E114.75**

DIMENSIONS: 300 x 20.2mm  
MIN TH: 18.4mm  
WEIGHT: 6.0kg

Date: 2011/2023 | Version: 3.00

