



# SP BRAKE PAD 07BB20SP

The 07BB20SP brake pad is synonymous with reliability

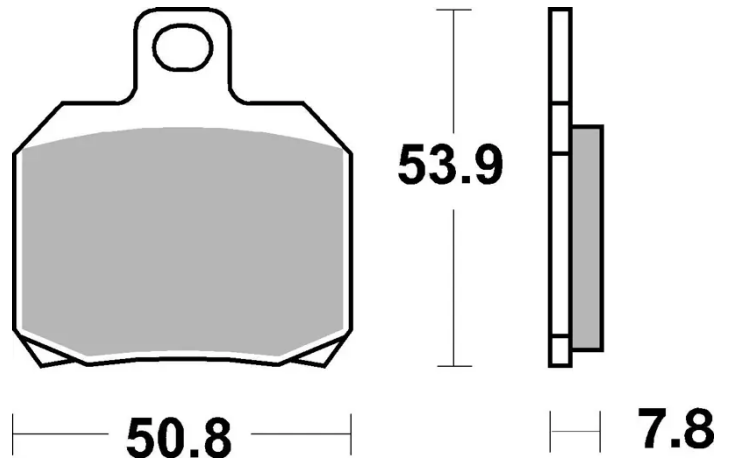
Sintered compound, for rear application and stable in all conditions of use.

- ✓ OE-equivalent
- ✓ Brembo quality
- ✓ ECE-R90 certificate
- ✓ Safety
- ✓ Comfort



## Technical specifications

|                           |                           |                            |
|---------------------------|---------------------------|----------------------------|
| Width<br>mm               | Height<br><b>53,88</b> mm | Thickness<br><b>7,8</b> mm |
| Compound<br><b>Sinter</b> | Units per box<br><b>2</b> |                            |



COMPATIBLE VEHICLES