

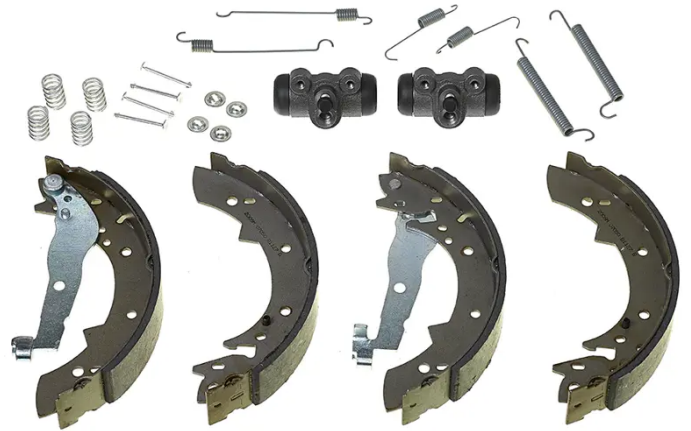


SHOE KIT H 06 007

The H 06 007 shoe kit is synonymous with reliability

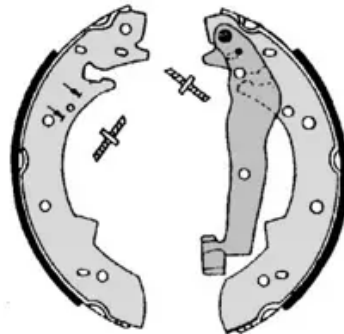
The standard Brembo kit is the ideal solution for drum brake maintenance. The kit contains all the components necessary for drum brake maintenance: shoes, brake wheel cylinders, springs, lubricant, and fixing kit.

- ✓ OE-equivalent
- ✓ Brembo quality
- ✓ ECE-R90 certificate
- ✓ Safety
- ✓ Durability
- ✓ Quick assembly
- ✓ With accessories



Technical specifications

EAN code 8020584070079	Axle Rear	Diameter 229 mm
Width 42 mm	Master cylinder diameter 22 mm	Type of assembly Not pre-assembled
Braking system Lucas	Brake proportioning valve	



COMPATIBLE VEHICLES