



# X-STYLE BRAKE CALIPER KIT

## F AL H32

### Brembo F AL H32 aluminium brake caliper kit


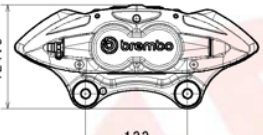
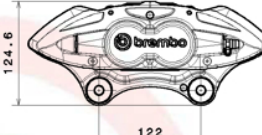
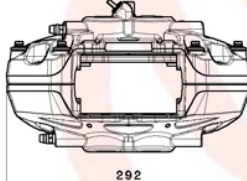
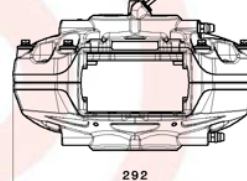
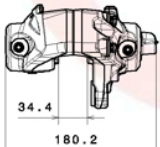
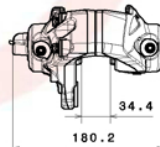


Brembo aluminium brake caliper kits are dedicated to car owners who are passionate and care deeply about the aesthetics of their vehicle. Check compatibility with your car and choose your favourite colour

- ✓ OE-equivalent
- ✓ Brembo quality
- ✓ Safety
- ✓ Performance
- ✓ Sporty look
- ✓ With accessories
- ✓ Kit



### Technical specifications

EAN code	Axle	Diameter
8020584550540	Front	40 mm
Number of pistons	Braking system	Position
4	BREMBO	Left, Right

		<b>KIT BRAKE CALIPERS P4.40</b>		<b>F AL XXX</b> <small>WEIGHT 7.6 KG</small>																															
<b>LEFT</b>			<b>RIGHT</b>																																
																																			
																																			
																																			
<b>ITEMS INSIDE THE KIT</b>		<table border="1"> <thead> <tr> <th>KIT</th> <th>CALIPER</th> <th>LEFT/RIGHT</th> <th>COLOR</th> </tr> </thead> <tbody> <tr> <td rowspan="2">F AL D32</td> <td>20.E707.14</td> <td>LEFT</td> <td>BLACK</td> </tr> <tr> <td>20.E707.15</td> <td>RIGHT</td> <td>BLACK</td> </tr> <tr> <td rowspan="2">F AL E32</td> <td>20.E707.16</td> <td>LEFT</td> <td>SILVER</td> </tr> <tr> <td>20.E707.17</td> <td>RIGHT</td> <td>SILVER</td> </tr> <tr> <td rowspan="2">F AL H32</td> <td>20.E707.20</td> <td>LEFT</td> <td>YELLOW</td> </tr> <tr> <td>20.E707.21</td> <td>RIGHT</td> <td>YELLOW</td> </tr> </tbody> </table>	KIT	CALIPER	LEFT/RIGHT	COLOR	F AL D32	20.E707.14	LEFT	BLACK	20.E707.15	RIGHT	BLACK	F AL E32	20.E707.16	LEFT	SILVER	20.E707.17	RIGHT	SILVER	F AL H32	20.E707.20	LEFT	YELLOW	20.E707.21	RIGHT	YELLOW	<table border="1"> <thead> <tr> <th>SPRING</th> <th>PIN</th> </tr> </thead> <tbody> <tr> <td>05.8948.90 - x2</td> <td>22.4839.89 - x4</td> </tr> </tbody> </table>		SPRING	PIN	05.8948.90 - x2	22.4839.89 - x4		
KIT	CALIPER	LEFT/RIGHT	COLOR																																
F AL D32	20.E707.14	LEFT	BLACK																																
	20.E707.15	RIGHT	BLACK																																
F AL E32	20.E707.16	LEFT	SILVER																																
	20.E707.17	RIGHT	SILVER																																
F AL H32	20.E707.20	LEFT	YELLOW																																
	20.E707.21	RIGHT	YELLOW																																
SPRING	PIN																																		
05.8948.90 - x2	22.4839.89 - x4																																		
																																			
<small>DATE : 10/07/2023 VERSION : 00</small>																																			

COMPATIBLE VEHICLES

COMPATIBLE OE PART NUMBERS

34106855475	BMW
34106855476	BMW
34106855477	BMW
34106855478	BMW
34106855479	BMW
34106855480	BMW
34116799465	BMW
34116799466	BMW
68788839	BMW
68788849	BMW