



BRAKE DISC

08.1976.10

The 08.1976.10 brake disc is synonymous with reliability

The Brembo brake disc is fully interchangeable with an Original Equipment brake disc. The control of the entire production cycle allows Brembo to offer brake discs with outstanding performance levels, reliability, durability and comfort in all conditions of use. All Brembo brake discs are accompanied by the ECE-R90 homologation.

- ✓ OE-equivalent
- ✓ Brembo quality
- ✓ ECE-R90 certificate
- ✓ Safety



Technical specifications



EAN code
8020584197615

Axle
Front

Diameter Ø
273 mm

Thickness (TH)
12,7 mm

Height (A)
43 mm

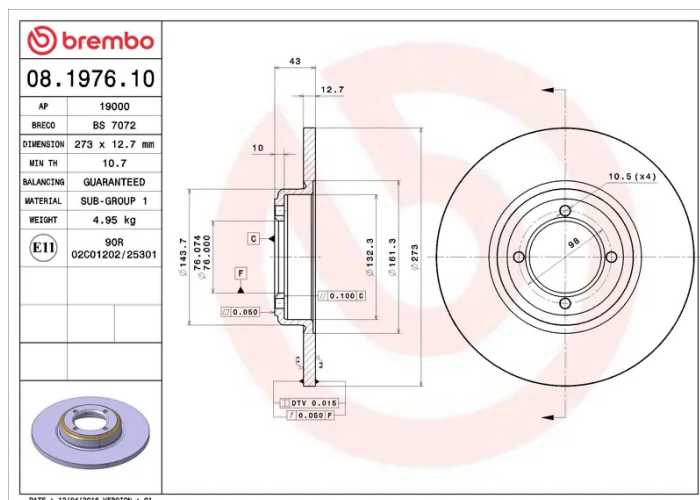
Number of holes (C)
4

Brake disc type
Solid

Centering (B)
76 mm

Min. thickness
10,7 mm

Tightening torque
85 Nm



COMPATIBLE VEHICLES

COMPATIBLE OE PART NUMBERS

424642 PEUGEOT

424684 PEUGEOT

4246B2 PEUGEOT

424642 TALBOT

7851531000 TALBOT
