



BRAKE DISC

08.6897.14

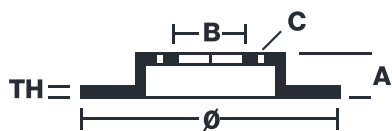
The **08.6897.14** brake disc is synonymous with reliability

The Brembo brake disc is fully interchangeable with an Original Equipment brake disc. The control of the entire production cycle allows Brembo to offer brake discs with outstanding performance levels, reliability, durability and comfort in all conditions of use. All Brembo brake discs are accompanied by the ECE-R90 homologation.

- ✓ OE-equivalent
- ✓ Brembo quality
- ✓ ECE-R90 certificate
- ✓ Safety



Technical specifications



EAN code
8020584016350

Axle
Rear

Diameter Ø
266 mm

Thickness (TH)
10 mm

Height (A)
67 mm

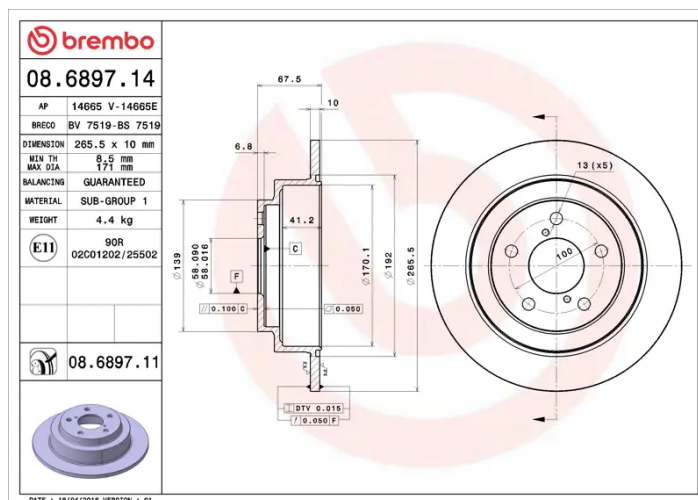
Number of holes (C)
5

Brake disc type
Solid

Centering (B)
58 mm

Min. thickness
8,5 mm

Tightening torque
100 Nm



COMPATIBLE VEHICLES

COMPATIBLE OE PART NUMBERS

32006222 SAAB

32009802 SAAB

26310AA040 SUBARU

26310AA050 SUBARU

26310AA051 SUBARU

26700FE010 SUBARU

26700FE030 SUBARU

26700FE080 SUBARU

26710AC020 SUBARU

26710AC02A SUBARU
