



# BRAKE DISC XTRA

## 08.A029.1X

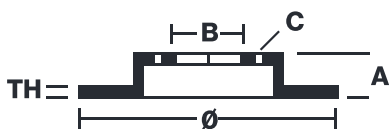
The 08.A029.1X Xtra brake disc is synonymous with reliability

The Brembo Xtra brake disc features holes on the braking surface. The holes are designed to improve the cooling of the braking system, to generate greater fading resistance and grip in the initial stages of braking. The sports look is also enhanced by the presence of the UV paint.

- ✓ Brembo quality
- ✓ ECE-R90 certificate
- ✓ Performance
- ✓ Sports driving
- ✓ Sporty look
- ✓ Anti-corrosion



### Technical specifications



EAN code  
**8020584321539**

Axle  
**Rear**

Diameter  $\emptyset$   
**265 mm**

Thickness (TH)  
**11 mm**

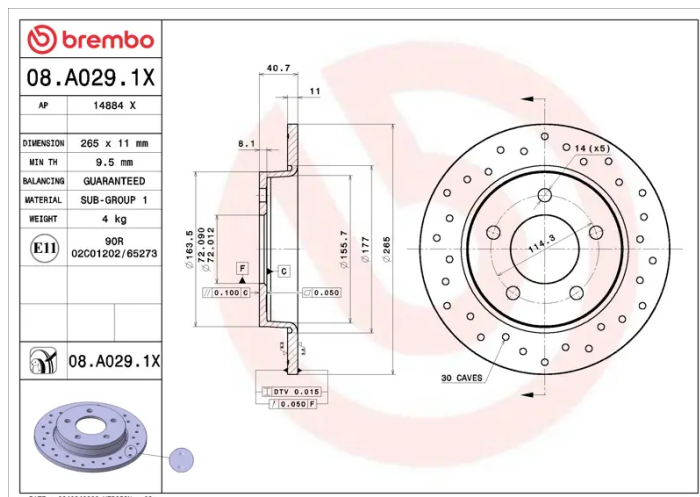
Height (A)  
**40,7 mm**

Number of holes (C)  
**5**

Brake disc type  
**Solid**

Centering (B)  
**72 mm**

Min. thickness  
**9,5 mm**



COMPATIBLE VEHICLES

## COMPATIBLE OE PART NUMBERS

BP4Y26251B	MAZDA
BP4Y26251C	MAZDA
BP4Y26251D	MAZDA
C24Y26251A	MAZDA
C24Y26251B	MAZDA
C24Y26251C	MAZDA
C24Y26251C9A	MAZDA
C24Y26251D	MAZDA
BFF426251	MAZDA (CHANGAN)