



# BRAKE DISC XTRA

## 09.5457.3X

The **09.5457.3X Xtra** brake disc is synonymous with reliability

The Brembo Xtra brake disc features holes on the braking surface. The holes are designed to improve the cooling of the braking system, to generate greater fading resistance and grip in the initial stages of braking. The sports look is also enhanced by the presence of the UV paint.

- ✓ Brembo quality
- ✓ ECE-R90 certificate
- ✓ Performance
- ✓ Sports driving
- ✓ Sporty look
- ✓ High carbon
- ✓ Anti-corrosion
- ✓ Fastening screws



### Technical specifications



EAN code  
**8020584225721**

Axle  
**Front**

Diameter  $\varnothing$   
**262 mm**

Thickness (TH)  
**21 mm**

Height (A)  
**47 mm**

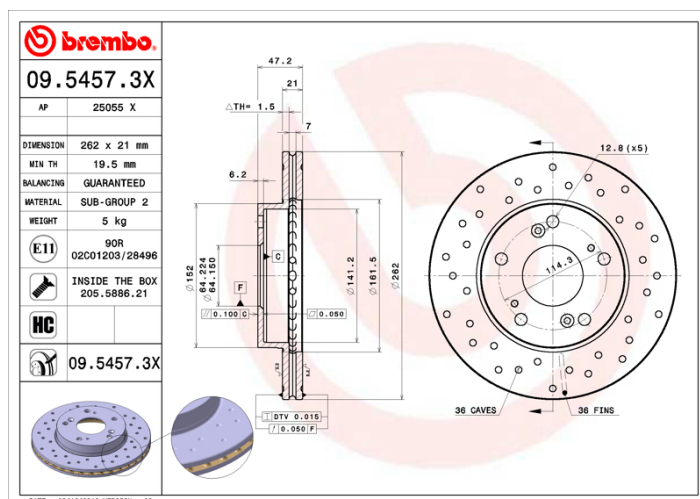
Number of holes (C)  
**5**

Brake disc type  
**Ventilated**

Centering (B)  
**64 mm**

Min. thickness  
**19,5 mm**

Tightening torque  
**108 Nm**



## COMPATIBLE OE PART NUMBERS

45251SNA010	ACURA
45251S6M000	HONDA
45251SNA000	HONDA
45251SNA010	HONDA
45251SNEA00	HONDA
45251SZT000	HONDA
45251SZT010	HONDA
45251SZT020	HONDA
45251SZT030	HONDA
45251SZT040	HONDA
45251SNA000	HONDA (DONGFENG)