



BRAKE DISC PAINTED

09.8545.11

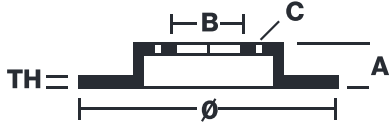
The 09.8545.11 painted brake disc is synonymous with reliability

The Brembo brake disc with special UV paint treatment guarantees superior corrosion resistance for the product, thanks to the protective coating on the outer edges and on the disc hub. The UV paint not only gives the disc a clean, shiny appearance but is also beneficial for the environment as the water-based UV paint treatment does not require the use of chemical solvents and is a low energy consumption process.

- ✓ OE-equivalent
- ✓ Brembo quality
- ✓ ECE-R90 certificate
- ✓ Safety
- ✓ Anti-corrosion

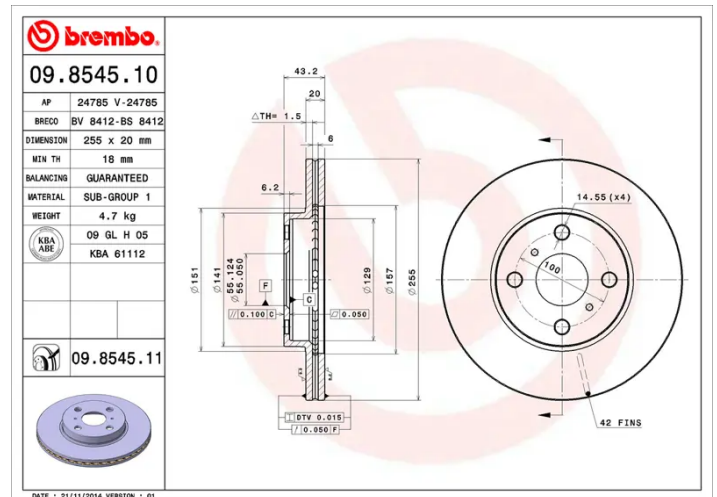


Technical specifications



EAN code 8020584210543	Axle Front	Diameter Ø 255 mm
Thickness (TH) 20 mm	Height (A) 43 mm	Number of holes (C) 4
Brake disc type Ventilated	Centering (B) 55 mm	Min. thickness 18 mm

Tightening torque
103 Nm



COMPATIBLE VEHICLES

COMPATIBLE OE PART NUMBERS

1014001811	ENGLON
4048016300	ENGLON
435120DA20	FAW (TIANJIN)
1014001811	GEELY
4048016300	GEELY
435120D020	TOYOTA
435120D030	TOYOTA
435120D050	TOYOTA
4351217120	TOYOTA
4351217130	TOYOTA
4351217131	TOYOTA
4351252030	TOYOTA
4351252040	TOYOTA
4351252090	TOYOTA
435120D020	TOYOTA (FAW)