



BRAKE DISC PAINTED

09.9077.11

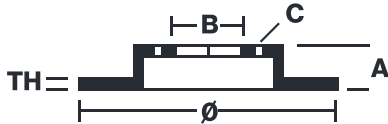
The 09.9077.11 painted brake disc is synonymous with reliability

The Brembo brake disc with special UV paint treatment guarantees superior corrosion resistance for the product, thanks to the protective coating on the outer edges and on the disc hub. The UV paint not only gives the disc a clean, shiny appearance but is also beneficial for the environment as the water-based UV paint treatment does not require the use of chemical solvents and is a low energy consumption process.

- ✓ OE-equivalent
- ✓ Brembo quality
- ✓ ECE-R90 certificate
- ✓ Safety
- ✓ Anti-corrosion

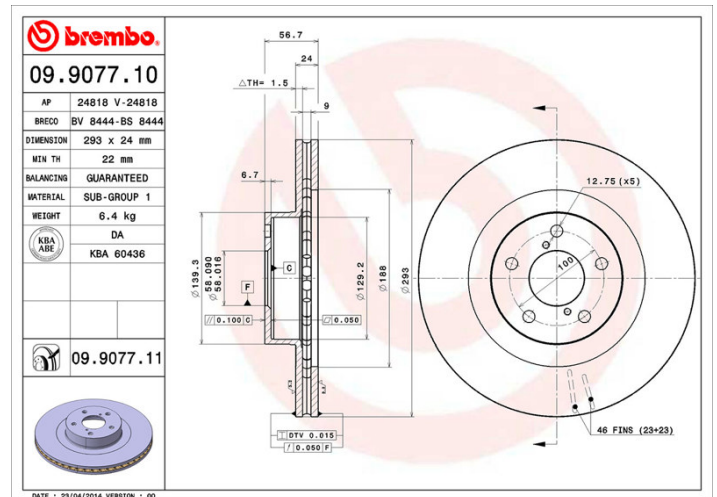


Technical specifications



EAN code 8020584030561	Axle Front	Diameter Ø 293 mm
Thickness (TH) 24 mm	Height (A) 57 mm	Number of holes (C) 5
Brake disc type Ventilated	Centering (B) 58 mm	Min. thickness 22 mm

Tightening torque
100 Nm



COMPATIBLE VEHICLES

COMPATIBLE OE PART NUMBERS

26300AE02A	SUBARU
------------	--------

26300AE02B	SUBARU
------------	--------

26300AE02C	SUBARU
------------	--------

26300AE060	SUBARU
------------	--------

26300AE061	SUBARU
------------	--------

26300FE010	SUBARU
------------	--------

26300FE011	SUBARU
------------	--------

26310AC040	SUBARU
------------	--------

26310AC041	SUBARU
------------	--------

32006171	SUBARU
----------	--------