



BRAKE DISC

09.A652.10

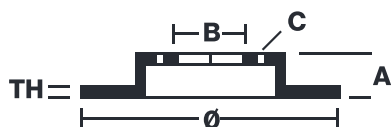
The **09.A652.10** brake disc is synonymous with reliability

The Brembo brake disc is fully interchangeable with an Original Equipment brake disc. The control of the entire production cycle allows Brembo to offer brake discs with outstanding performance levels, reliability, durability and comfort in all conditions of use. All Brembo brake discs are accompanied by the ECE-R90 homologation.

- ✓ OE-equivalent
- ✓ Brembo quality
- ✓ ECE-R90 certificate
- ✓ Safety
- ✓ High carbon
- ✓ Fastening screws



Technical specifications



EAN code
8020584028636

Axle
Rear

Diameter Ø
256 mm

Thickness (TH)
22 mm

Height (A)
36 mm

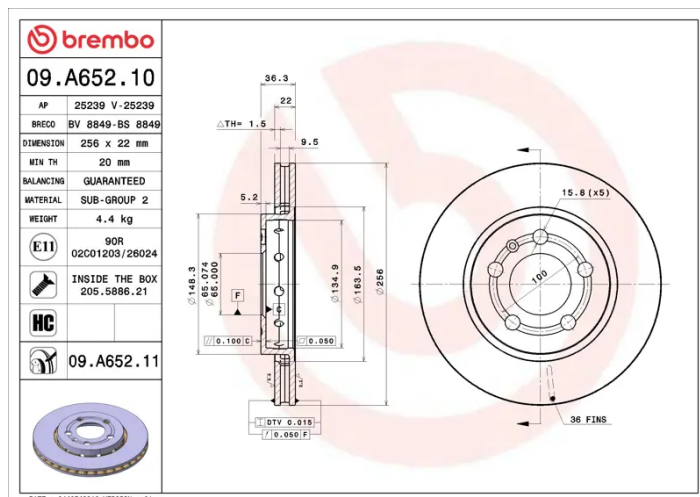
Number of holes (C)
5

Brake disc type
Ventilated

Centering (B)
65 mm

Min. thickness
20 mm

Tightening torque
120 Nm



COMPATIBLE VEHICLES

COMPATIBLE OE PART NUMBERS

8L0615601	AUDI
-----------	------

8N0615601B	AUDI
------------	------

8L0615601	SEAT
-----------	------

8N0615601B	SEAT
------------	------

8L0615601	SKODA
-----------	-------

8N0615601B	SKODA
------------	-------

8L0615601	VW
-----------	----

8L061601	VW
----------	----

8N0615601B	VW
------------	----

8N0615601B	VW (FAW)
------------	----------