



BRAKE DISC XTRA

09.A868.1X

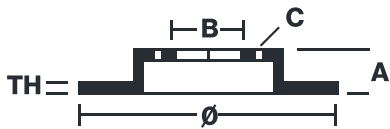
The 09.A868.1X Xtra brake disc is synonymous with reliability

The Brembo Xtra brake disc features holes on the braking surface. The holes are designed to improve the cooling of the braking system, to generate greater fading resistance and grip in the initial stages of braking. The sports look is also enhanced by the presence of the UV paint.

- ✓ Brembo quality
- ✓ ECE-R90 certificate
- ✓ Performance
- ✓ Sports driving
- ✓ Sporty look
- ✓ High carbon
- ✓ Anti-corrosion



Technical specifications



EAN code
8020584319765

Axle
Front

Diameter Ø
294 mm

Thickness (TH)
28 mm

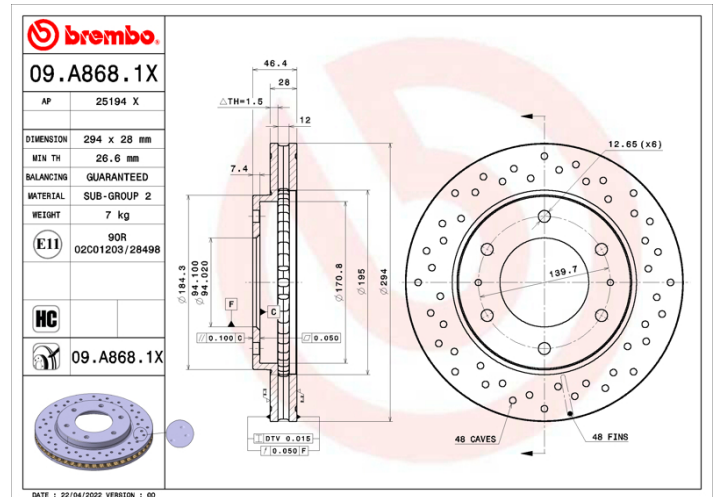
Height (A)
46,4 mm

Number of holes (C)
6

Brake disc type
Ventilated

Centering (B)
94 mm

Min. thickness
26,6 mm



COMPATIBLE VEHICLES

COMPATIBLE OE PART NUMBERS

600609712

FIAT

4615A201

mitsubishi

MN102276

mitsubishi