



# BRAKE DISC PAINTED

## 09.A905.11

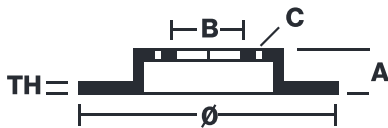
The 09.A905.11 painted brake disc is synonymous with reliability

The Brembo brake disc with special UV paint treatment guarantees superior corrosion resistance for the product, thanks to the protective coating on the outer edges and on the disc hub. The UV paint not only gives the disc a clean, shiny appearance but is also beneficial for the environment as the water-based UV paint treatment does not require the use of chemical solvents and is a low energy consumption process.



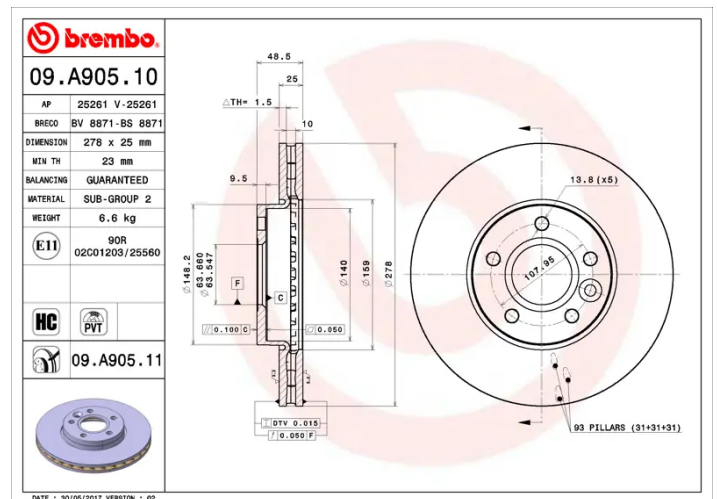
- ✓ OE-equivalent
- ✓ Brembo quality
- ✓ ECE-R90 certificate
- ✓ Safety
- ✓ High carbon
- ✓ Anti-corrosion
- ✓ PVT ventilation

### Technical specifications



EAN code <b>8020584217177</b>	Axle <b>Front</b>	Diameter Ø <b>278 mm</b>
Thickness (TH) <b>25 mm</b>	Height (A) <b>49 mm</b>	Number of holes (C) <b>5</b>
Brake disc type <b>Ventilated</b>	Centering (B) <b>64 mm</b>	Min. thickness <b>23 mm</b>

Tightening torque  
**100 Nm**



**COMPATIBLE VEHICLES**

## COMPATIBLE OE PART NUMBERS

1686722	FORD
1686723	FORD
1790221	FORD
AV611125CA	FORD
AV611125DA	FORD
AV611125DB	FORD
BV611125AA	FORD
BV6Z1125A	FORD
BV6Z1125E	FORD
1759454	FORD (CHANGAN)
1843728	FORD (CHANGAN)
BV611125AA	FORD (CHANGAN)
BV611125EA	FORD (CHANGAN)
BV611125EB	FORD (CHANGAN)
BV611125AA	FORD ASIA & OCEANIA
31341642	VOLVO
31362411	VOLVO
313624110	VOLVO
31381374	VOLVO
313813740	VOLVO
31362411	VOLVO (CHANGAN)