



BRAKE DISC PAINTED

09.A971.11

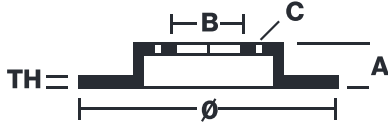
The 09.A971.11 painted brake disc is synonymous with reliability

The Brembo brake disc with special UV paint treatment guarantees superior corrosion resistance for the product, thanks to the protective coating on the outer edges and on the disc hub. The UV paint not only gives the disc a clean, shiny appearance but is also beneficial for the environment as the water-based UV paint treatment does not require the use of chemical solvents and is a low energy consumption process.



- ✓ OE-equivalent
- ✓ Brembo quality
- ✓ ECE-R90 certificate
- ✓ Safety
- ✓ High carbon
- ✓ Anti-corrosion
- ✓ Fastening screws

Technical specifications



EAN code
8020584025840

Axle
Front

Diameter Ø
321 mm

Thickness (TH)
30 mm

Height (A)
51 mm

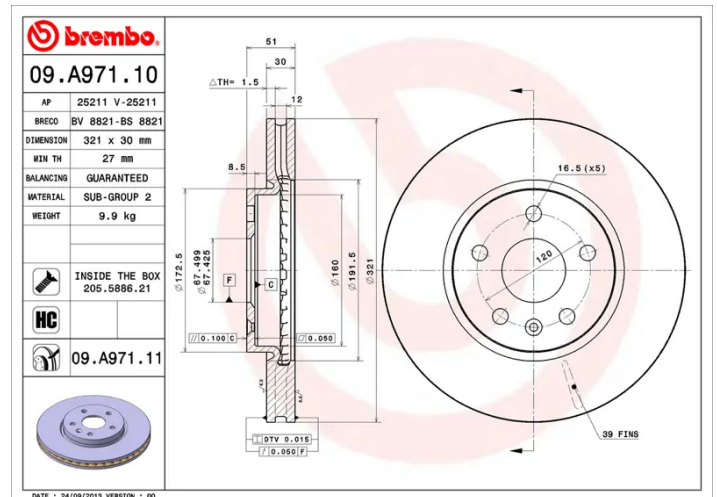
Number of holes (C)
5

Brake disc type
Ventilated

Centering (B)
67 mm

Min. thickness
27 mm

Tightening torque
150 Nm



COMPATIBLE VEHICLES

COMPATIBLE OE PART NUMBERS

23118530	BUICK
13501297	BUICK (SGM)
13501308	BUICK (SGM)
13501320	BUICK (SGM)
13501308	CHEVROLET
13501320	CHEVROLET
23118055	CHEVROLET
23118530	CHEVROLET
13501320	CHEVROLET (SGM)
23118055	GMC
13501308	OPEL
13502214	OPEL
13579150	OPEL
569064	OPEL
569083	OPEL
569422	OPEL
13501320	ROEWE (SAIC)
13502214	SAAB
13501308	VAUXHALL
13502214	VAUXHALL
13579150	VAUXHALL