



BRAKE DISC XTRA

09.A971.1X

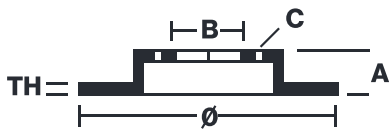
The 09.A971.1X Xtra brake disc is synonymous with reliability

The Brembo Xtra brake disc features holes on the braking surface. The holes are designed to improve the cooling of the braking system, to generate greater fading resistance and grip in the initial stages of braking. The sports look is also enhanced by the presence of the UV paint.



- ✓ Brembo quality
- ✓ ECE-R90 certificate
- ✓ Performance
- ✓ Sports driving
- ✓ Sporty look
- ✓ High carbon
- ✓ Anti-corrosion
- ✓ Fastening screws

Technical specifications



EAN code
8020584319703

Axle
Front

Diameter Ø
321 mm

Thickness (TH)
30 mm

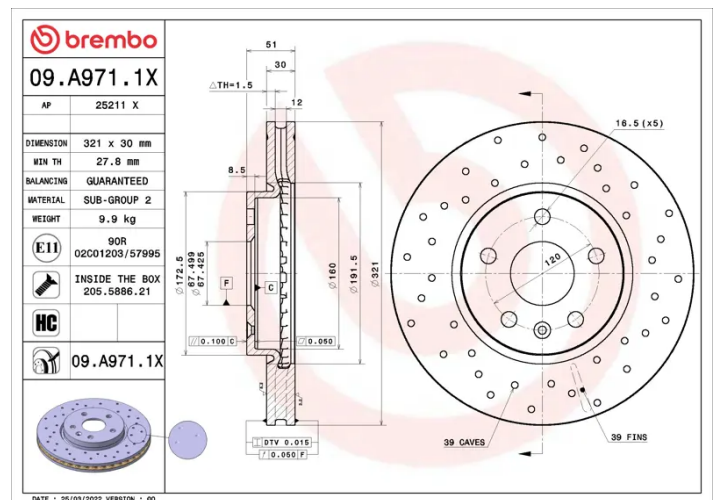
Height (A)
51 mm

Number of holes (C)
5

Brake disc type
Ventilated

Centering (B)
67,5 mm

Min. thickness
27,8 mm



COMPATIBLE VEHICLES

COMPATIBLE OE PART NUMBERS

23118530	BUICK
13501297	BUICK (SGM)
13501308	BUICK (SGM)
13501320	BUICK (SGM)
13501308	CHEVROLET
13501320	CHEVROLET
23118055	CHEVROLET
23118530	CHEVROLET
13501320	CHEVROLET (SGM)
23118055	GMC
13501308	OPEL
13502214	OPEL
13579150	OPEL
569064	OPEL
569083	OPEL
569422	OPEL
13501320	ROEWE (SAIC)
13502214	SAAB
13501308	VAUXHALL
13502214	VAUXHALL
13579150	VAUXHALL