



# BRAKE DISC PAINTED

## 09.B337.21

The **09.B337.21** painted brake disc is synonymous with reliability

The Brembo brake disc with special UV paint treatment guarantees superior corrosion resistance for the product, thanks to the protective coating on the outer edges and on the disc hub. The UV paint not only gives the disc a clean, shiny appearance but is also beneficial for the environment as the water-based UV paint treatment does not require the use of chemical solvents and is a low energy consumption process.

- ✓ OE-equivalent
- ✓ Brembo quality
- ✓ ECE-R90 certificate
- ✓ Safety
- ✓ High carbon
- ✓ Anti-corrosion
- ✓ Fastening screws

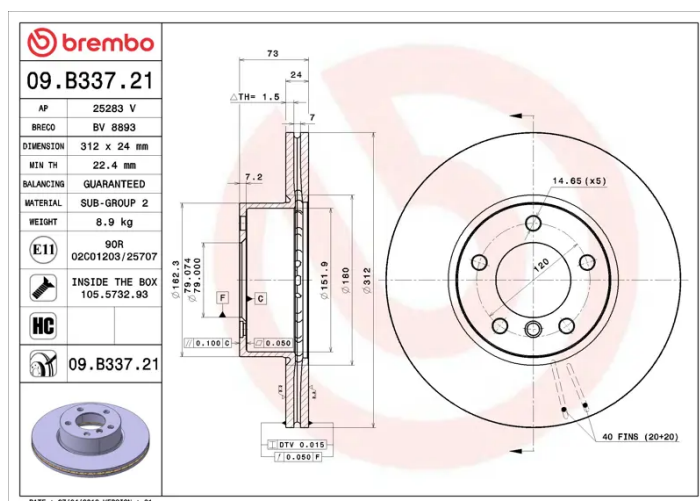


### Technical specifications



EAN code <b>8020584035733</b>	Axle <b>Front</b>	Diameter Ø <b>312 mm</b>
Thickness (TH) <b>24 mm</b>	Height (A) <b>73 mm</b>	Number of holes (C) <b>5</b>
Brake disc type <b>Ventilated</b>	Centering (B) <b>79 mm</b>	Min. thickness <b>22,4 mm</b>

Tightening torque  
**120 Nm**



**COMPATIBLE VEHICLES**

## COMPATIBLE OE PART NUMBERS

34116774875	BMW
34116783755	BMW
34116792219	BMW
34116855006	BMW
34116855659	BMW
34116855692	BMW
34118848417	BMW
34118848418	BMW
34116774875	BMW (BRILLIANCE)
34116792219	BMW (BRILLIANCE)
34116855006	BMW (BRILLIANCE)